

HEATIZON SYSTEMS

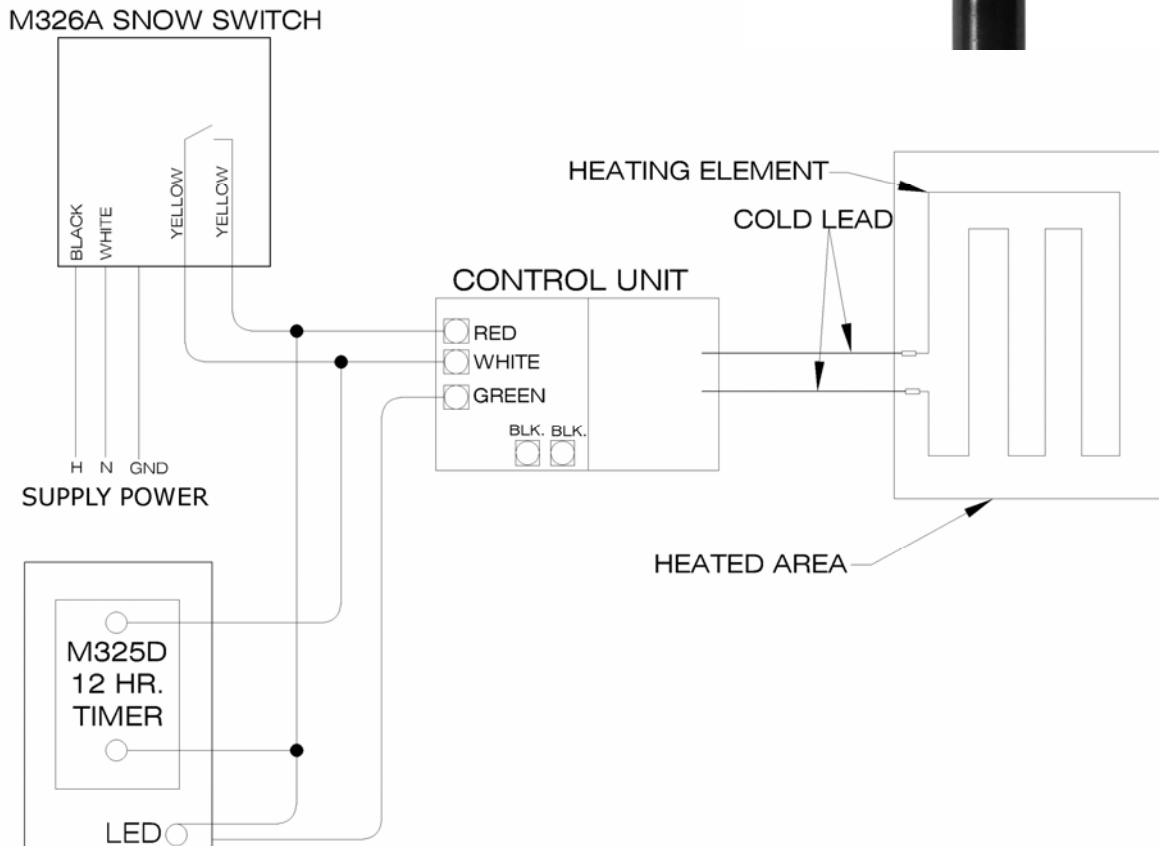
M326A Aerial Snow Switch All CBX Models or SLC500

Features:

- Activates System when moisture is detected and temperature is below 34° - 44° F : Field Selectable
- Leaves system on from 30-90 minutes: Field Selectable
- Requires 120 VAC / 240VAC

Applications:

- Snow Melting
- Roof Deicing
- Gutter Melting



M326A Aerial Snow Switch