

HEATIZON SYSTEMS

M326A24 Aerial Snow Switch All CBX Models or SLC500

Features:

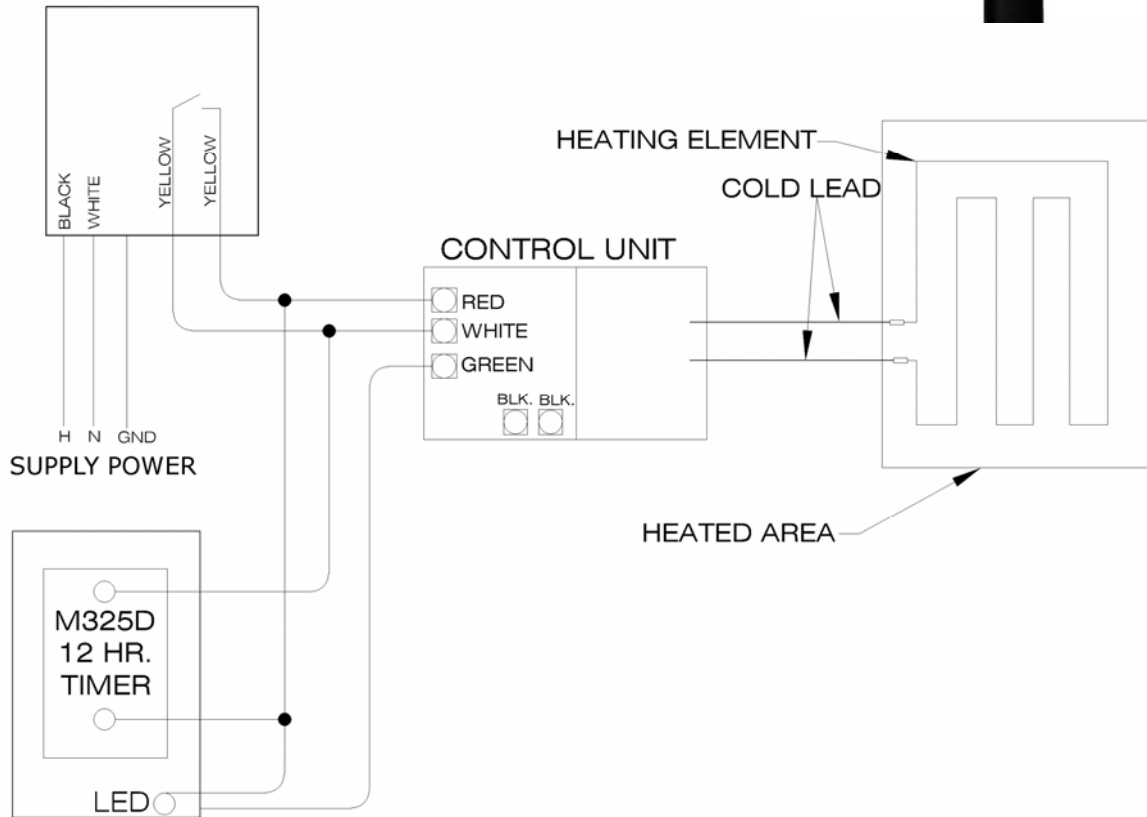
- Activates System when moisture is detected and temperature is below 34° - 44° F : Field Selectable
- Leaves system on from 30-90 minutes or 2 to 6 hours: Field Selectable
- Requires 24 VAC

Applications:

- Snow Melting
- Roof Deicing
- Gutter Melting



M326A24 SNOW SWITCH



M326A24 Aerial Snow Switch All CBX Models or SLC 500