

HEATIZON

SYSTEMS

M330-50 Heatizon Relay Panel

Features:

- Power On/Off switch for each circuit
- Up to four 50 Amp loads.
- Relays provide easy connection to load and power source.
- Compatible with most Heatizon supplied activation devices and Heatizon Systems' Selector Box (Heatizon Part No. M329 Modified).

Specifications:

- Requires 120V, Switches 120/208/240/277 VAC
- Dimensions: 18" x 12" x 5"
- Weight: 15 lbs

Applications:

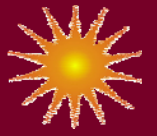
- Snow Melting
- Roof Deicing
- Floor Warming
- Space Heating

Benefits:

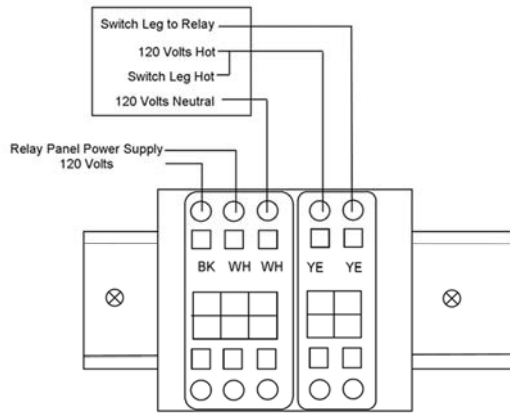
- Allows one activation device to turn up to four lengths of cable on and off either remotely or manually.
- Can be turned on remotely or manually



CUSTOMIZED WIRING DIAGRAM



M330-50 Heatizon Relay Panel



POWER SUPPLY TO RELAYS

