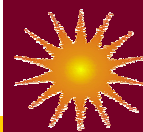
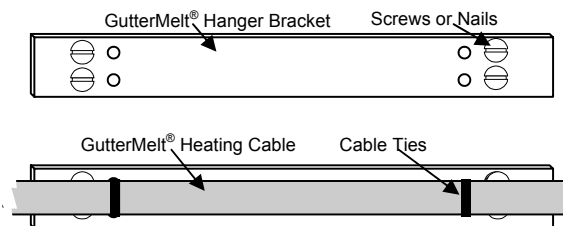


GUTTERMELT[®] HANGER BRACKET



The GutterMelt[®] Hanger Bracket is designed to:

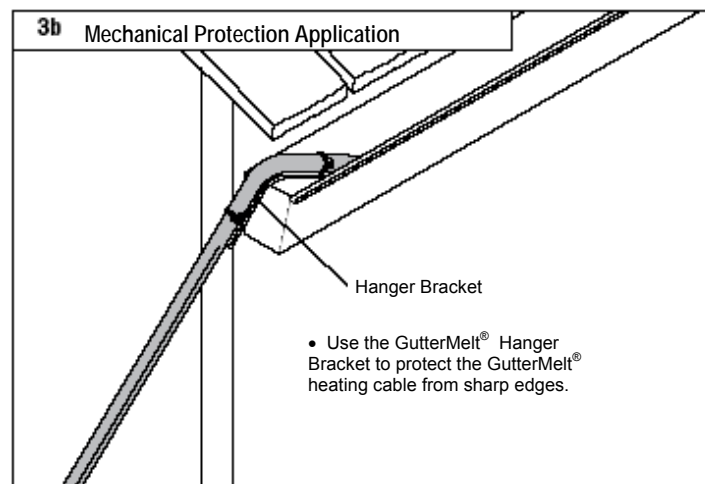
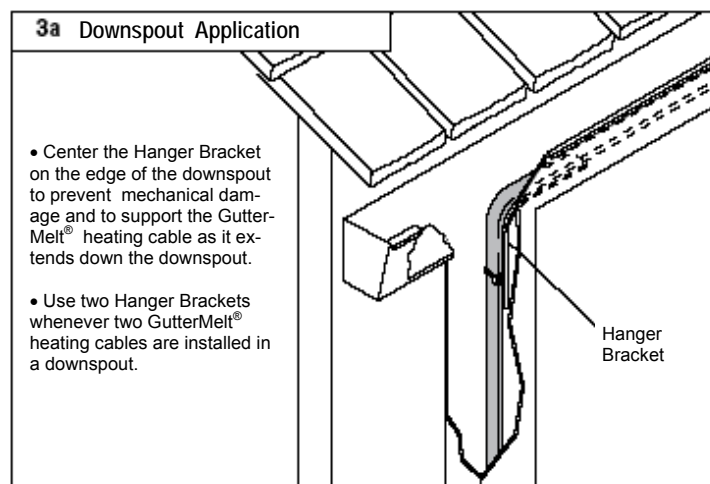
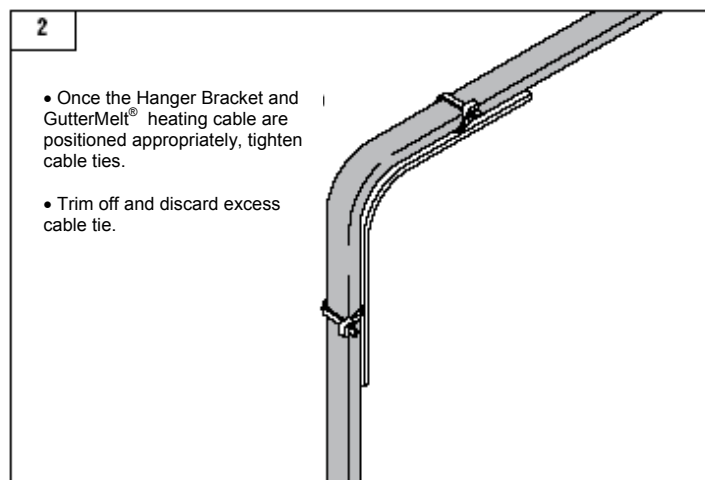
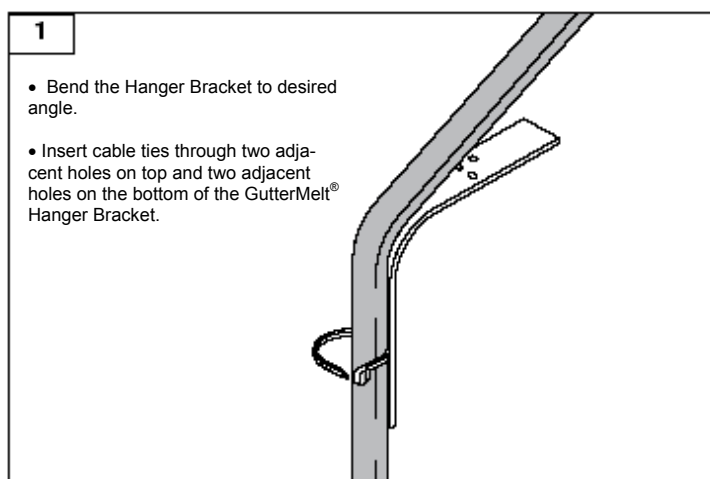
- provide mechanical protection to the GutterMelt[®] heating cables as it exits the gutter and enters the downspout or as it is exposed to other sharp edges.
- suspend the heating cable in place at the top of downspouts or whenever GutterMelt[®] heating cables are extending from one surface to another.
- separate two lengths of GutterMelt[®] vertically or horizontally.



WARNING: ELECTRIC SHOCK HAZARD. Disconnect all electrical power before installing or servicing GutterMelt[®] cable and/or accessories. A qualified person must perform all installation and service of GutterMelt[®] and its accessories per GutterMelt[®] Installation Instructions, the Canadian Electric Code (CEC), the National Electric Code (NEC) and local building codes and requirements. All GutterMelt[®] installations must be effectively grounded in accordance with the CEC or NEC to eliminate shock hazards and risk to property. Failure to comply the GutterMelt[®] Installation Instructions in their entirety can result in personal injury and/or property damage.

NOTE: All electrical wiring, including GFCI (Ground Fault Circuit Interrupters) and GFEP (Ground Fault Equipment Protectors), must be done according to the CEC or NEC and/or local codes by qualified persons.

NOTICE: Caution must be used to make certain that all Power, End and Splice Kits are installed properly and water tight. All Self-Regulating Cables, including GutterMelt[®] are adversely affected by water and will fail if water is allowed to enter its interior.



GutterMelt[®]

Heatizon Systems • (801) 293-1232

