

M321/M321RS Thermostat

DATA SHEET

Features:

- Small elegant design
- Remote bulb sensor and 10' of cable
- Large, lighted LCD display
- Has LED indicator light
- Four programmable periods per day
- Programs for weekdays and weekends
- Battery or System powered
- 12/24 Hr Clock Display
- Adjustable temperature differential cycle rate
- Battery free memory storage.
- F/C temperature display
- Temperature Calibration

Design:



M321RS Includes Remote Blub (Floor) Sensor

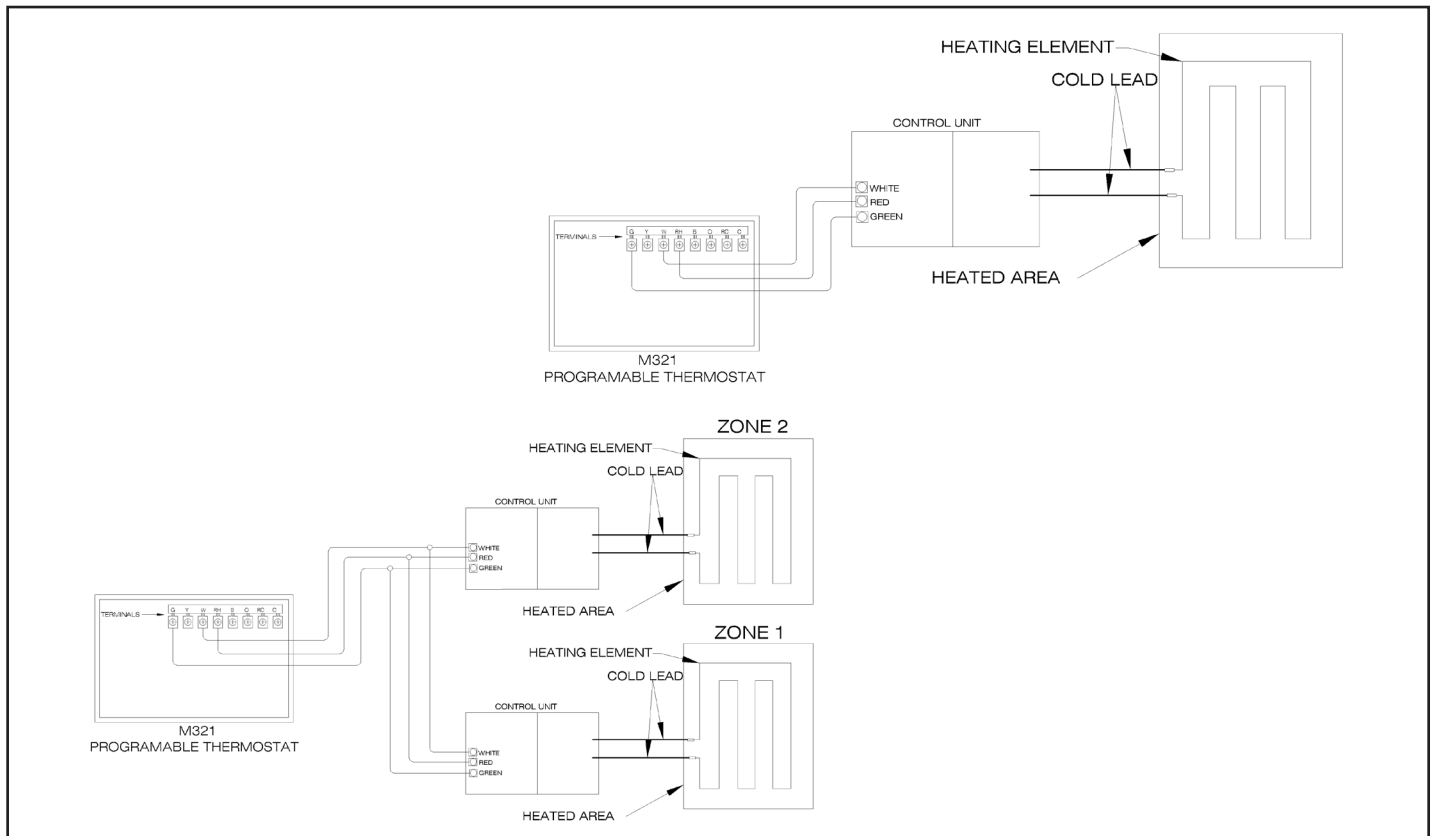
Specifications:

- Accuracy (F): 2 F, (C): 1 C
- Dimensions (in.): 3 11/16 in. diameter x 1 3/4 in. deep with wall plate
- Setting temperature range 40° F to 90° F
- Electrical Ratings: 1.5A @ 30 Vac

Applications:

- Space Heating
- For use with SLC500, CBX Series or Radiant 8 Control Units

Wiring:



Note: Refer to the NEC or CEC for specific requirements.



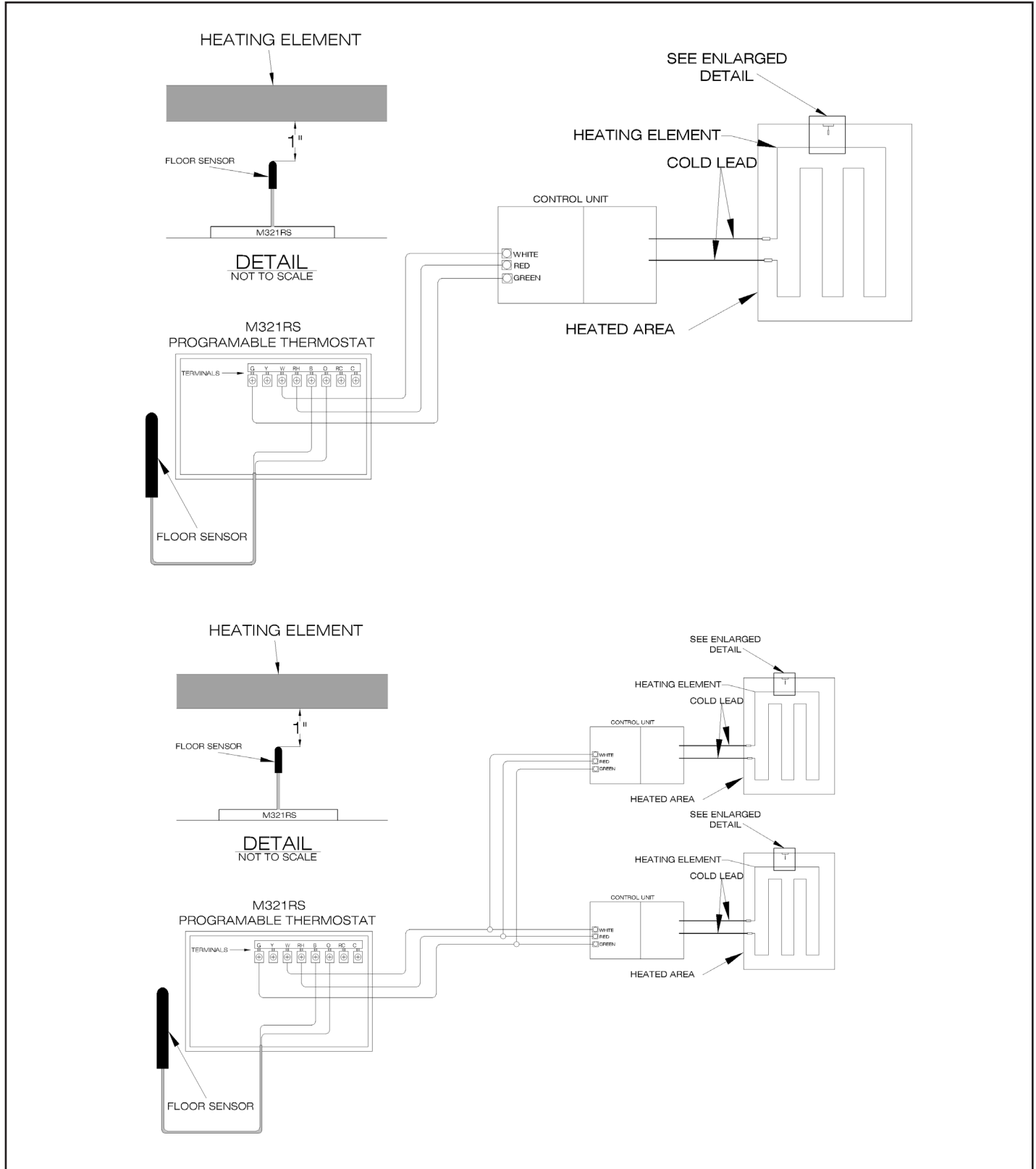
4137 South 500 West
Murray, Utah 84123

FOR MORE INFORMATION
Company: Heatizon Systems
Toll Free: 888-239-1232
Email: info@heatizon.com
Visit us at: www.heatizon.com

M321/M321RS Thermostat

DATA SHEET

Design:



Note: Refer to the NEC or CEC for specific requirements.



4137 South 500 West
Murray, Utah 84123

FOR MORE INFORMATION
Company: Heatizon Systems
Toll Free: 888-239-1232
Email: info@heatizon.com
Visit us at: www.heatizon.com