

M332 Gutter Controller

DATA SHEET

Features:

- Allows SR and MI cables to be turned on and off with the Activation of Low Voltage Units.
- Designed to fit over a standard electrical outlet box
- Avoids expense of duplicating activators
- Eliminates human activation error from roof deicing
- 120V - 240V 50A Relay

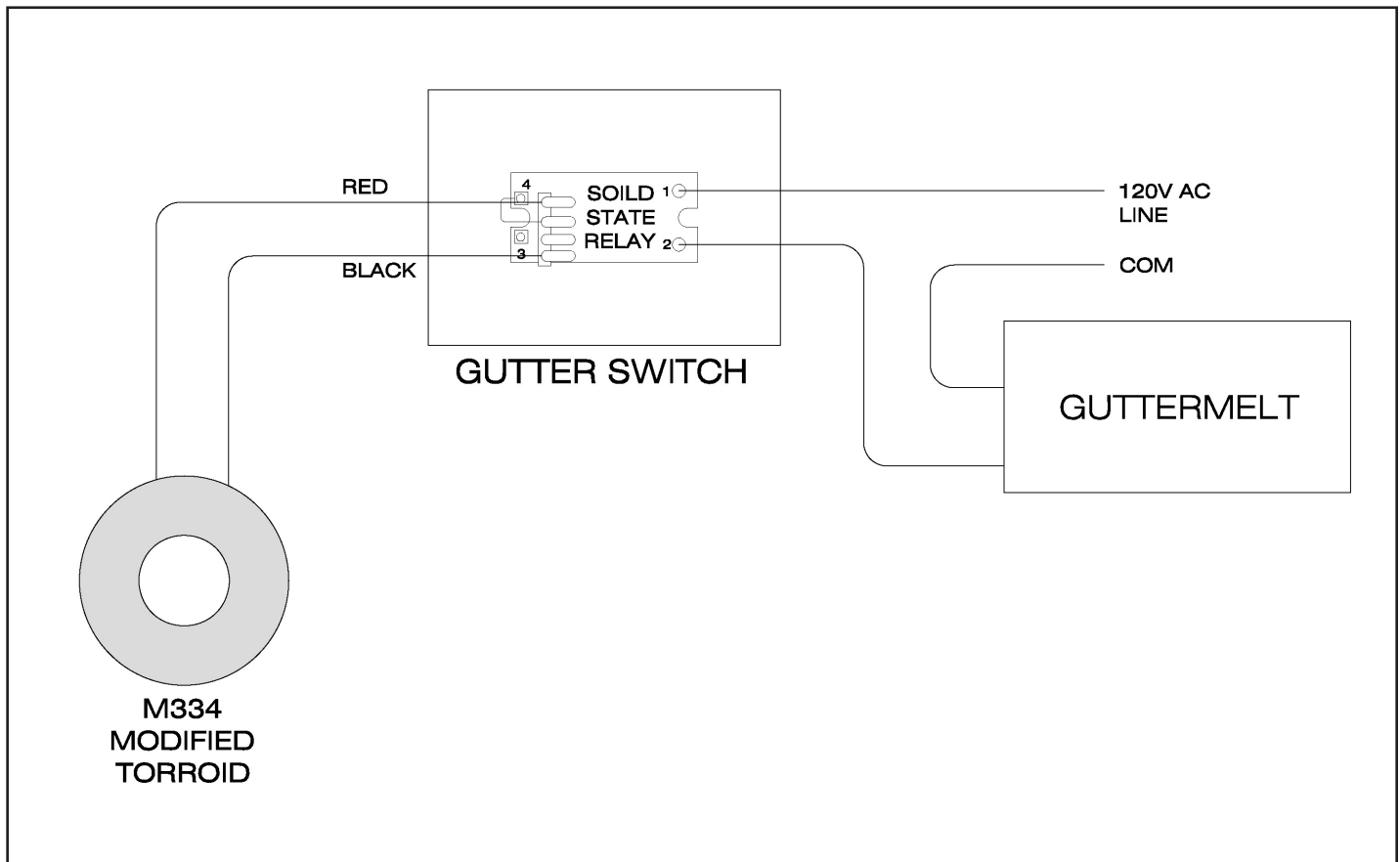
Applications:

- Roof De-icing
- Snow melt drain pipes

Design:



Wiring:



Note: Refer to the NEC or CEC for specific requirements.



4137 South 500 West
Murray, Utah 84123

FOR MORE INFORMATION
Company: Heatizon Systems
Toll Free: 888-239-1232
Email: info@heatizon.com
Visit us at: www.heatizon.com