

M336/M336-24 Electronic Temperature Sensor

DATA SHEET

Design:



Features:

- Liquid crystal display produces constant readout
- Touch keypad
- Remote temperature sensing up to 400 feet

Specifications:

M336/M336-24:

- Wide set point temperature range (-30° F to 220° F)
- Differential adjustment (1° F to 30° F)

M336

- Requires 120VAC or 240VAC
- Load: 16 Amps @ 120VAC or 8 Amps @ 208-277VAC

M336-24

- Requires 24VAC

Applications:

M336

- Low Voltage: SLC500, CBX Series, Radiant 8, M329 & M346
- Line Voltage: M330 Series, M530 Series, Direct Load Switching
- Pipe Tracing

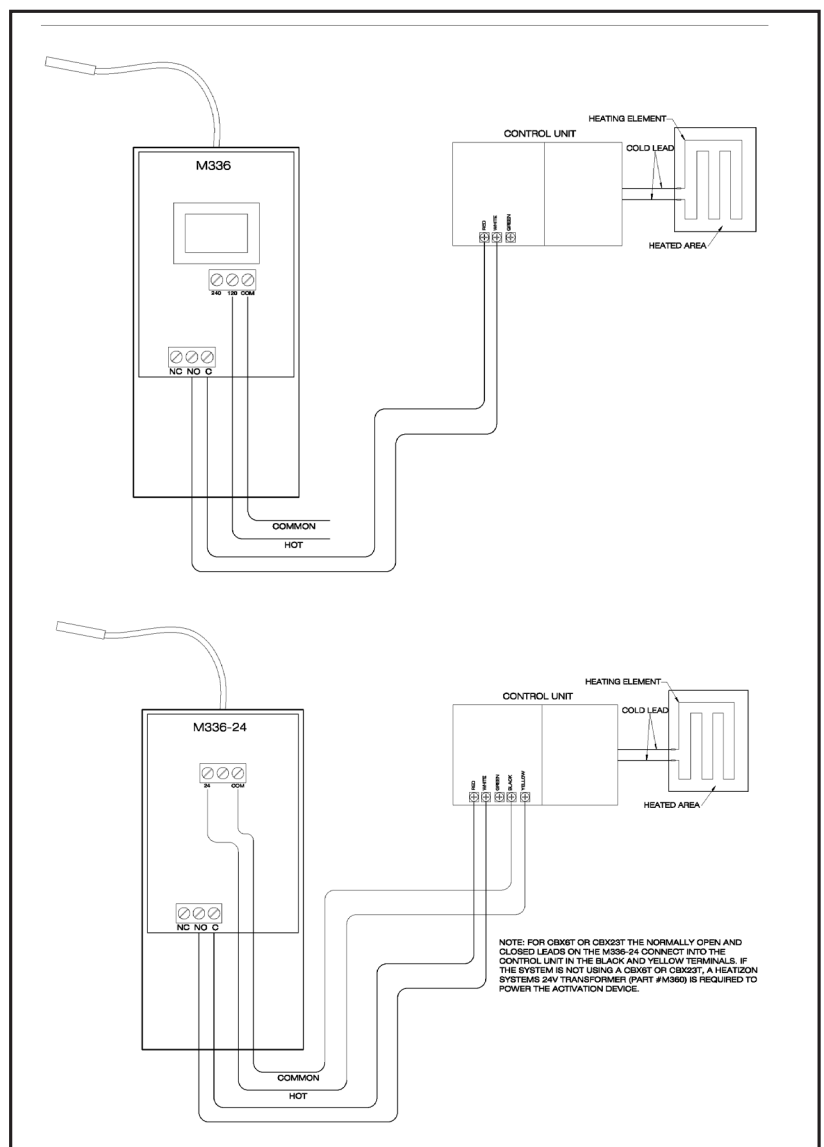
M336-24:

- For use with SLC500, CBX Series or Radiant 8 Control Units

M336/M336-24:

- Snow Melting • Roof Deicing • Floor warming

Wiring:



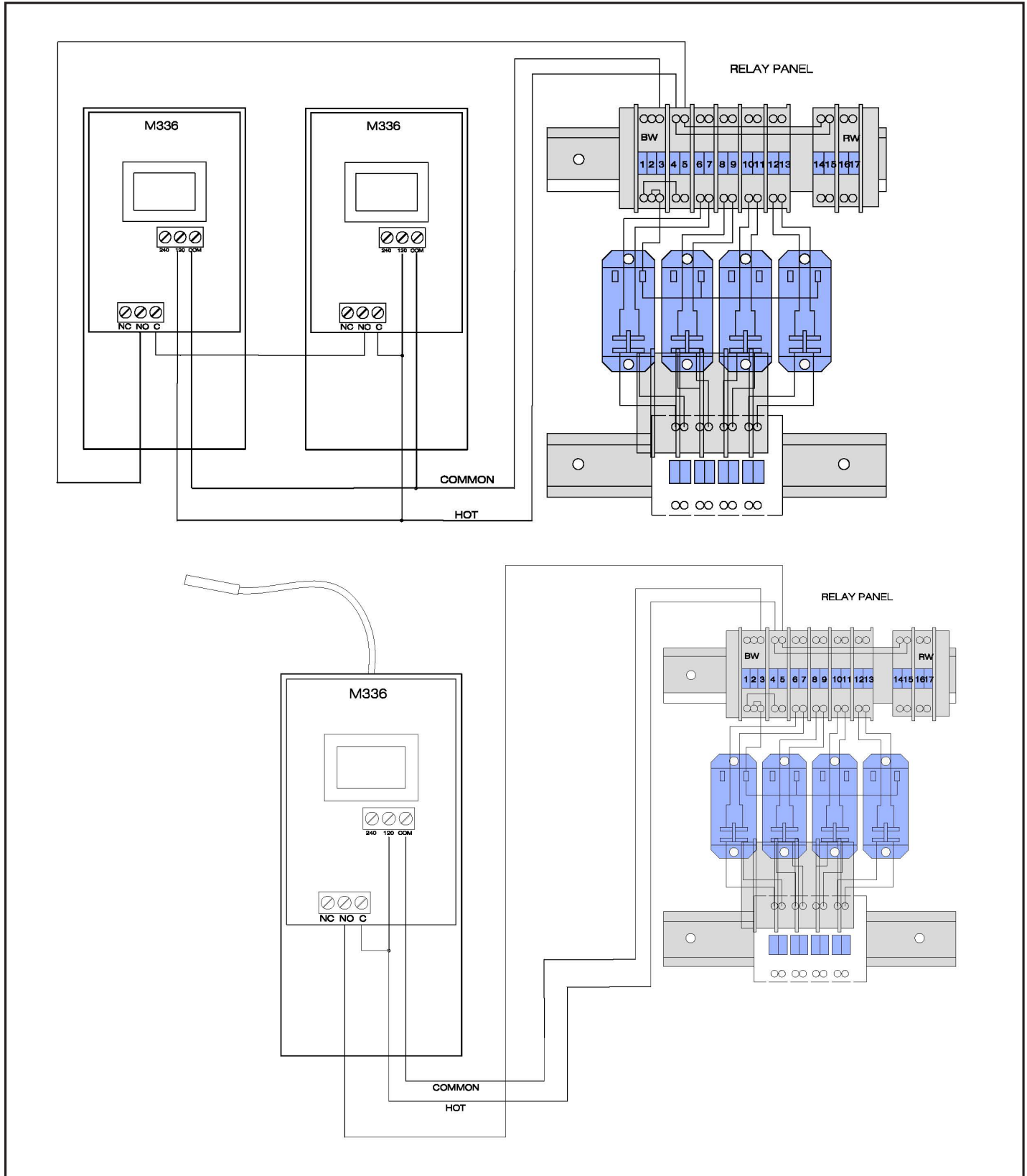
Note: Refer to the NEC or CEC for specific requirements.



4137 South 500 West
Murray, Utah 84123

FOR MORE INFORMATION
Company: Heatizon Systems
Toll Free: 888-239-1232
Email: info@heatizon.com
Visit us at: www.heatizon.com

Wiring:



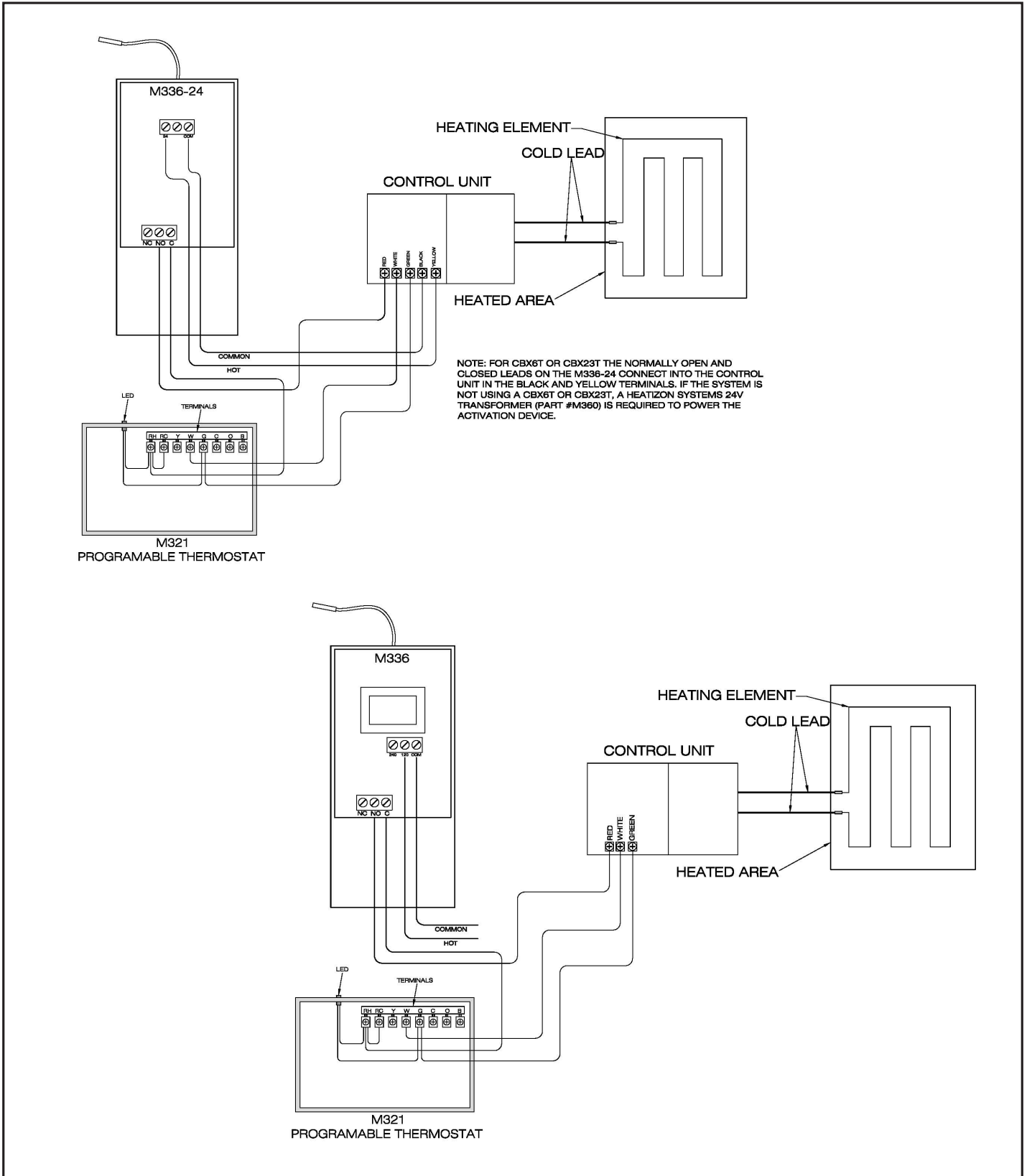
Note: Refer to the NEC or CEC for specific requirements.



4137 South 500 West
Murray, Utah 84123

FOR MORE INFORMATION
Company: Heatizon Systems
Toll Free: 888-239-1232
Email: info@heatizon.com
Visit us at: www.heatizon.com

Wiring:



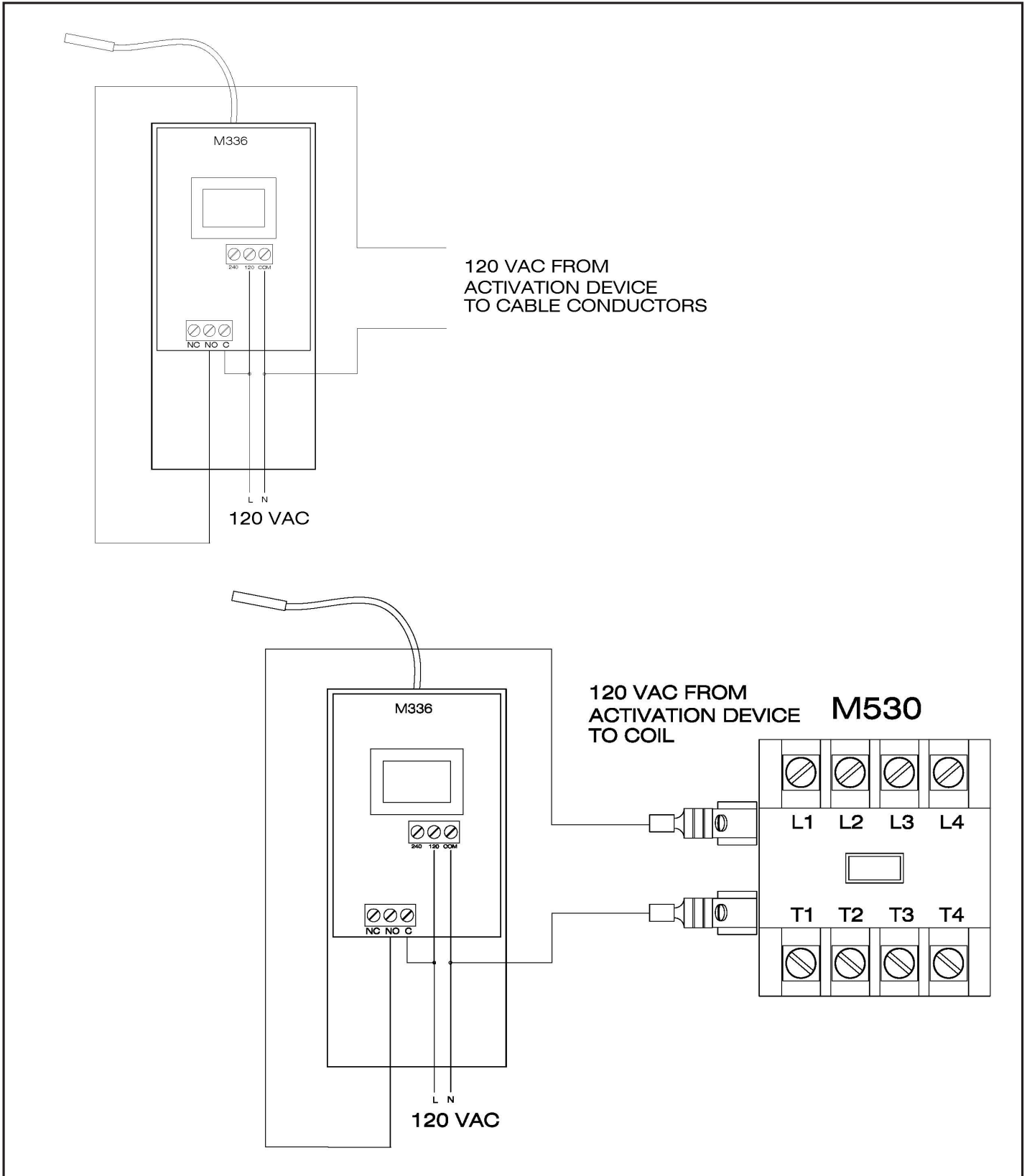
Note: Refer to the NEC or CEC for specific requirements.



4137 South 500 West
Murray, Utah 84123

FOR MORE INFORMATION
Company: Heatizon Systems
Toll Free: 888-239-1232
Email: info@heatizon.com
Visit us at: www.heatizon.com

Wiring:



Note: Refer to the NEC or CEC for specific requirements.



4137 South 500 West
Murray, Utah 84123

FOR MORE INFORMATION
Company: Heatizon Systems
Toll Free: 888-239-1232
Email: info@heatizon.com
Visit us at: www.heatizon.com