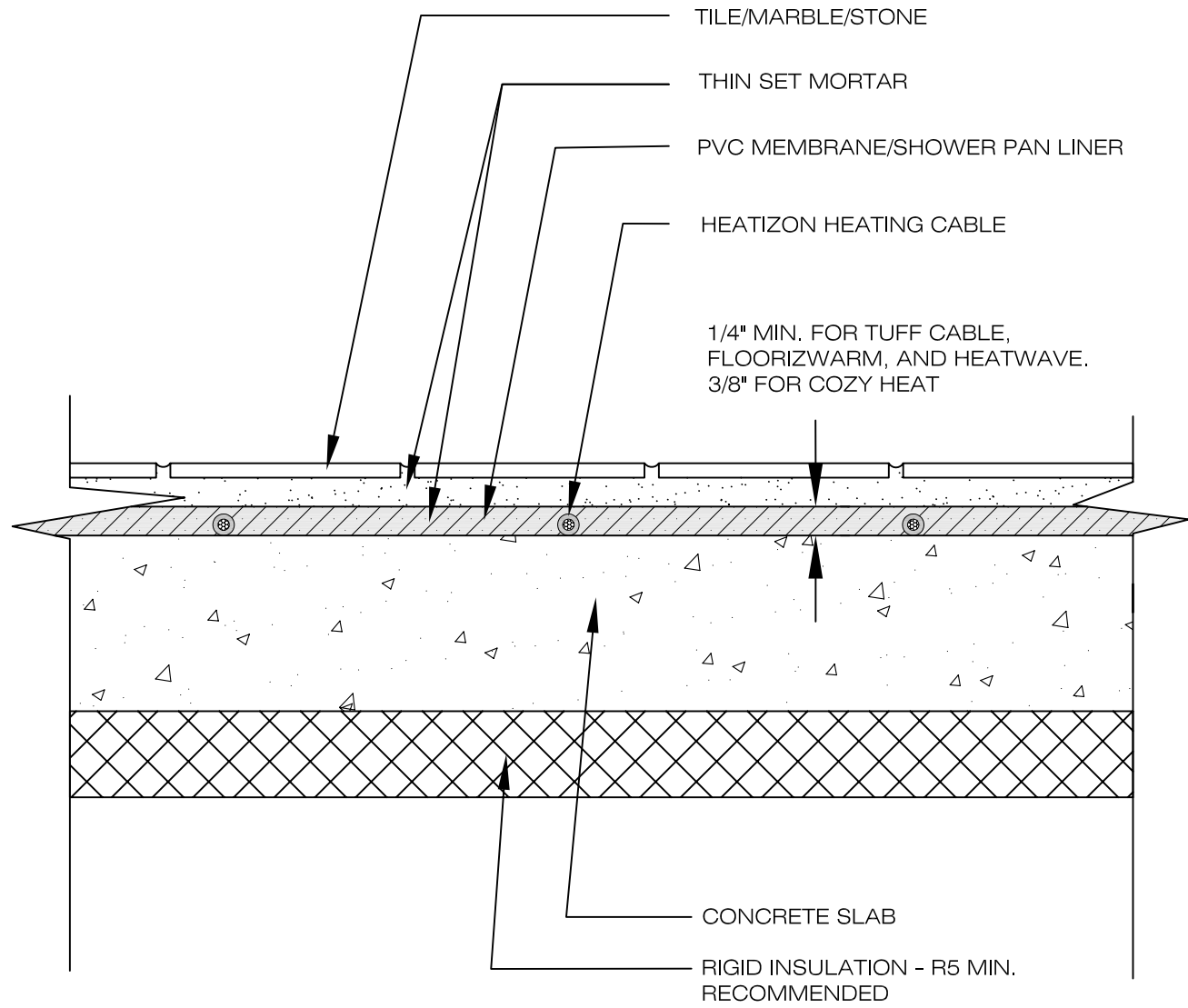


WARNING!!
DO NOT CUT OR DAMAGE
HEATIZON HEATING CABLE ELEMENT OR
ITS INSULATOR IN ANY WAY

DRAWING NO.: FH-6	HEATIZON HEATING CABLE ELEMENT UNDER TILE/STONE ON CONCRETE SLAB	DRAWING BY: ACI
		DATE: NOV 2009

HEATIZON SYSTEMS
advanced floor heating/ snow and ice removal systems
4137 SOUTH 500 WEST, MURRAY, UTAH 84123 PH (801) 293-1232 FAX (801) 293-3077
©2009

When installing Heatizon Systems products, strict compliance with the National Electrical Code, the Canadian Electrical Code, state and local buildings codes, and Heatizon Systems Design and Installation Manual is essential.



WARNING!!
DO NOT CUT OR DAMAGE
HEATIZON HEATING CABLE ELEMENT OR
ITS INSULATOR IN ANY WAY

NOTE:
HEATING CABLE IS EMBEDDED IN THIN
SET MORTAR UNDER THE SHOWER PAN

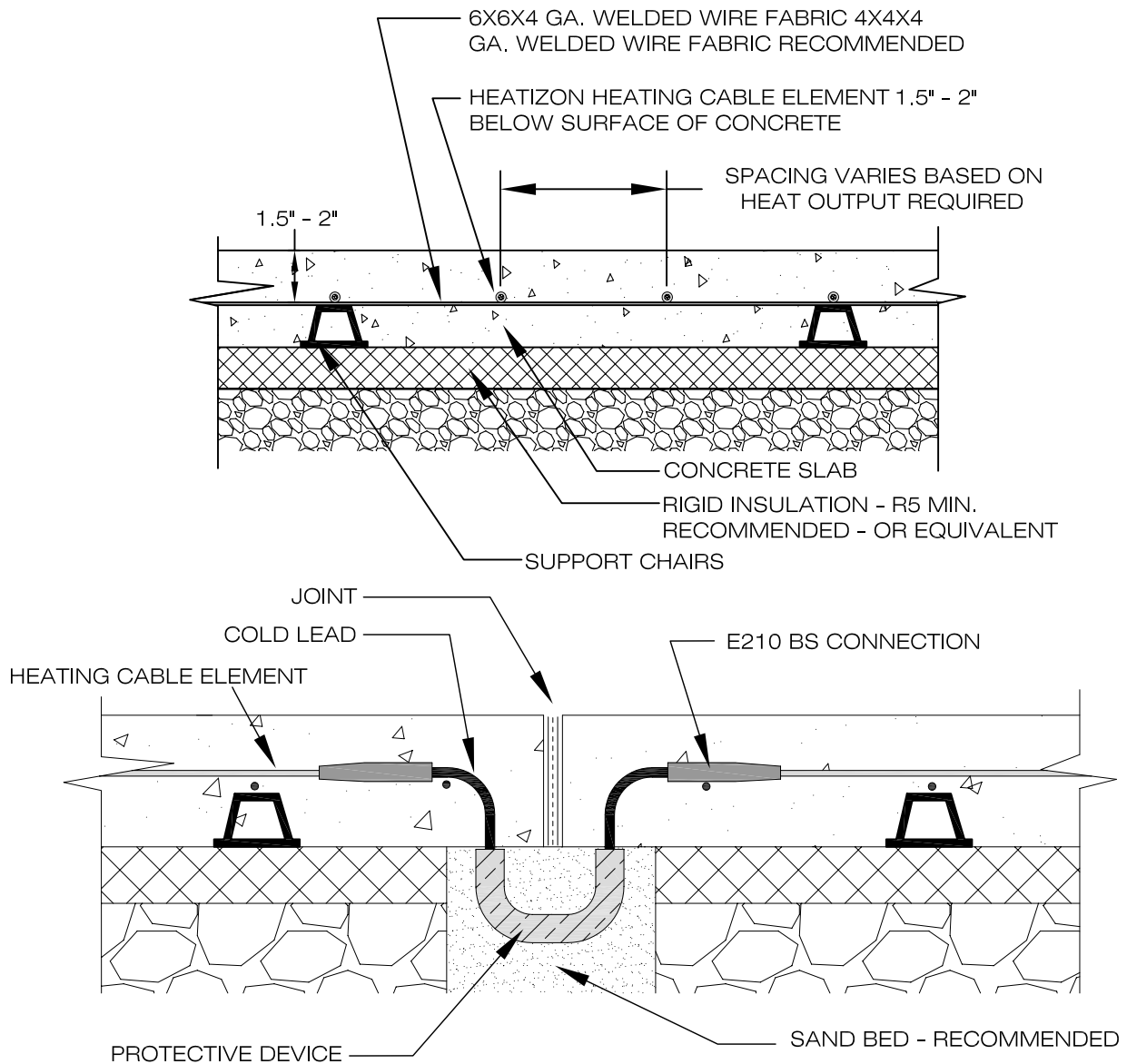
DRAWING NO.: FH-7	HEATIZON HEATING CABLE ELEMENT IN SHOWER PAN ON CONCRETE SLAB	DRAWING BY: ACI
		DATE: NOV 2009

HEATIZON SYSTEMS
advanced floor heating/ snow and ice removal systems
4137 SOUTH 500 WEST, MURRAY, UTAH 84123 PH (801) 293-1232 FAX (801) 293-3077
©2009

When installing Heatizon Systems products, strict compliance with the National Electrical Code, the Canadian Electrical Code, state and local buildings codes, and Heatizon Systems Design and Installation Manual is essential.

WARNING!!
DO NOT CUT OR DAMAGE
HEATIZON HEATING CABLE ELEMENT OR
IT'S INSULATOR IN ANY WAY

NOTE:
HEATIZON HEATING CABLE ELEMENT
SHALL NOT EXTEND THROUGH
EXPANSION, CONTROL OR ANY
OTHER JOINTS. "JUMPER" TO BE
USED AT ALL JOINTS.



DETAIL OF JUMPER KIT
FOR TUFF CABLE

NOTE:
PROTECTIVE DEVICE IS TO PREVENT CONCRETE ENCASEMENT.
PROTECTIVE DEVICE SHOULD NOT EXTEND INTO CONCRETE

DRAWING NO.:

FH-9T

**HEATIZON TUFF CABLE IN
CONCRETE & JOINT DETAIL**

DRAWING BY:

ACI

DATE:

NOV 2009

HEATIZON SYSTEMS

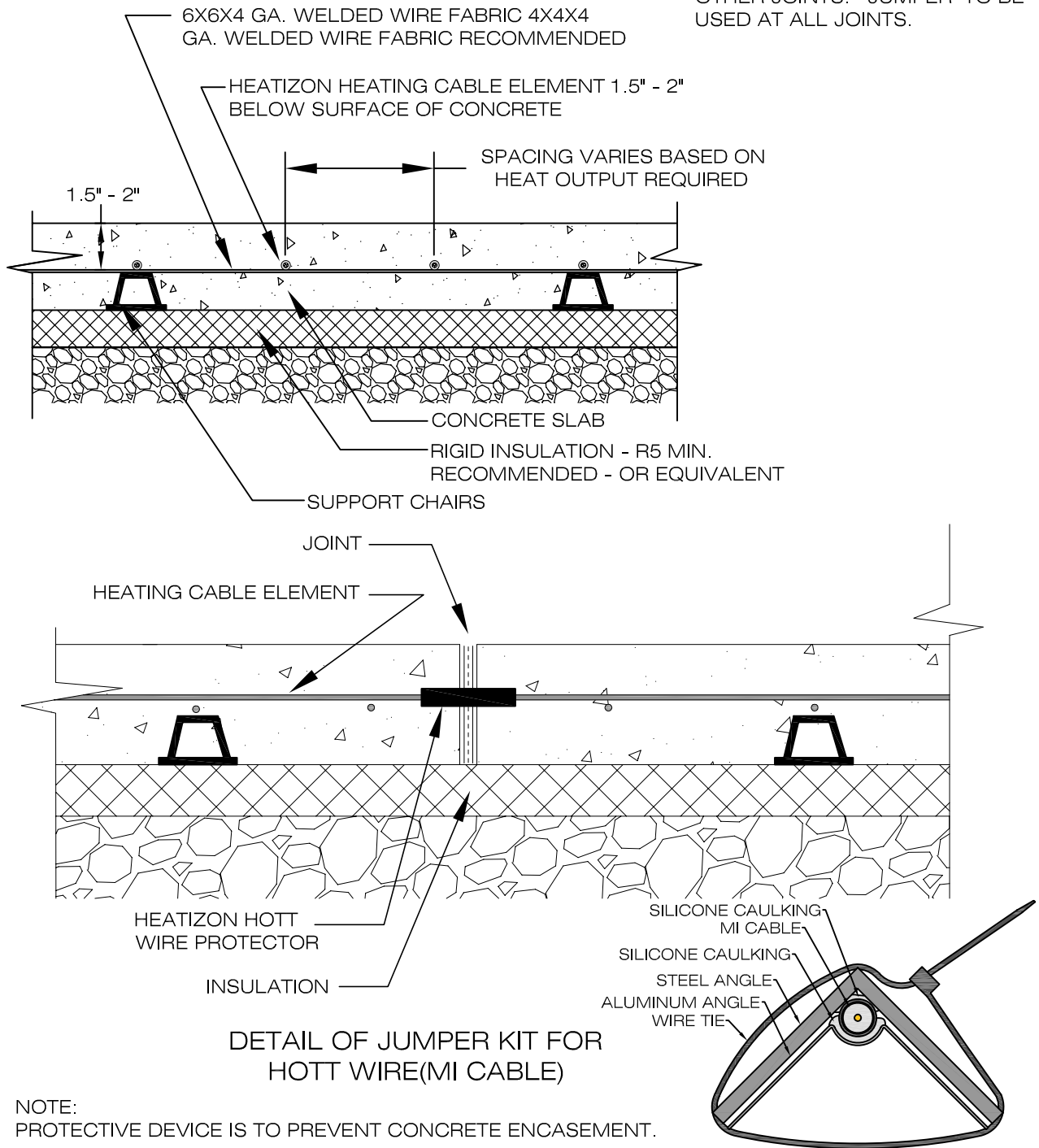
advanced floor heating/ snow and ice removal systems

4137 SOUTH 500 WEST, MURRAY, UTAH 84123 PH (801) 293-1232 FAX (801) 293-3077

©2009

WARNING!!
DO NOT CUT OR DAMAGE
HEATIZON HEATING CABLE ELEMENT OR
ITS INSULATOR IN ANY WAY

NOTE:
HEATIZON HEATING CABLE ELEMENT
SHALL NOT EXTEND THROUGH
EXPANSION, CONTROL OR ANY
OTHER JOINTS. "JUMPER" TO BE
USED AT ALL JOINTS.



DRAWING NO.:
FH-9MI

**HEATIZON HOTT WIRE(MI CABLE) IN
CONCRETE & JOINT DETAIL**

DRAWING BY:
ACI
DATE:
AUG. 2010

HEATIZON SYSTEMS

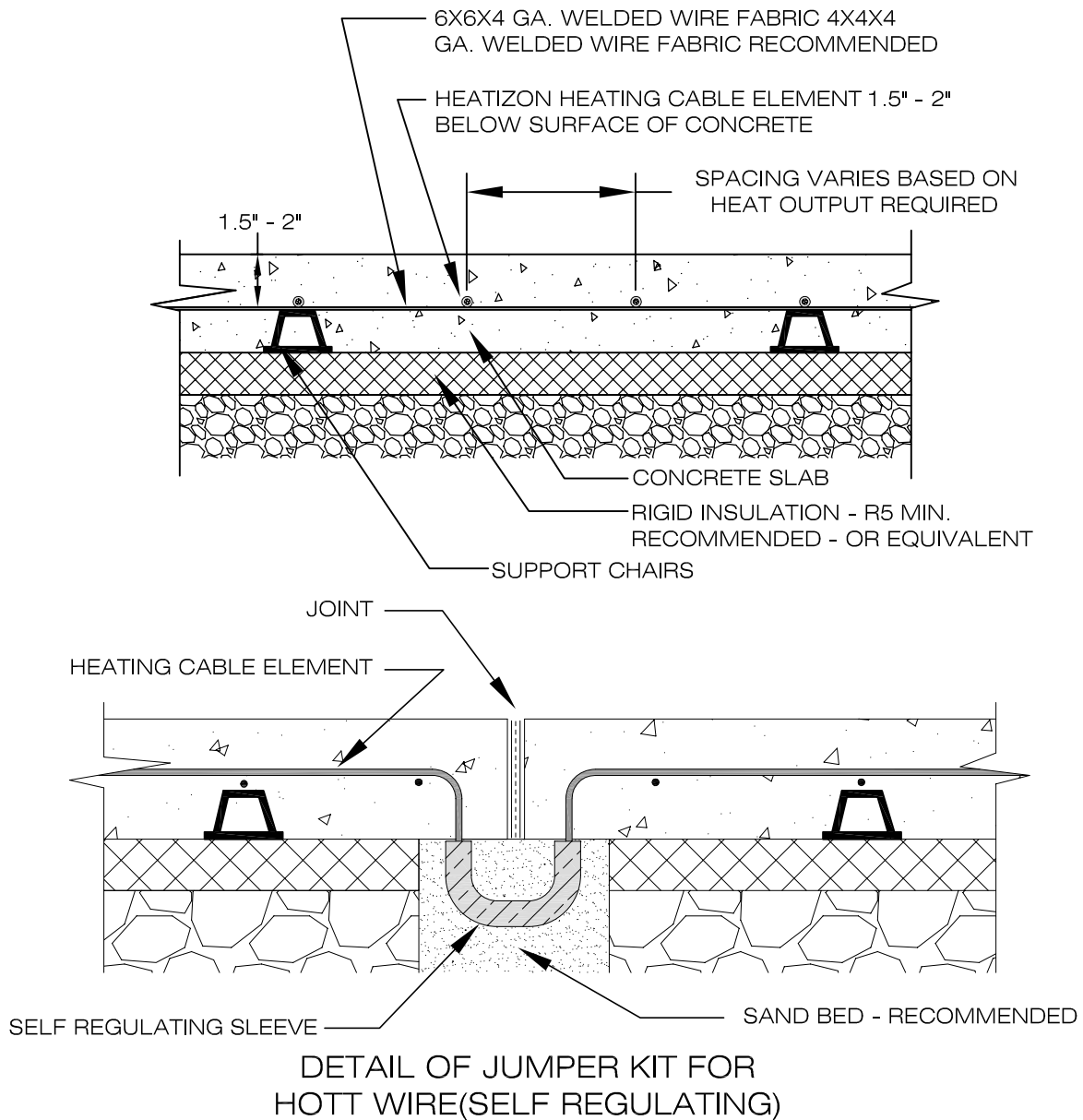
advanced floor heating/ snow and ice removal systems

4137 SOUTH 500 WEST, MURRAY, UTAH 84123 PH (801) 293-1232 FAX (801) 293-3077

©2013

WARNING!!
DO NOT CUT OR DAMAGE
HEATIZON HEATING CABLE ELEMENT OR
IT'S INSULATOR IN ANY WAY EXCEPT FOR
CONNECTIONS

NOTE:
HEATIZON HEATING CABLE ELEMENT
SHALL NOT EXTEND THROUGH
EXPANSION, CONTROL OR ANY
OTHER JOINTS. "JUMPER" TO BE
USED AT ALL JOINTS.



NOTE:
PROTECTIVE DEVICE IS TO PREVENT CONCRETE ENCASEMENT.
PROTECTIVE DEVICE SHOULD NOT EXTEND INTO CONCRETE

DRAWING NO.: FH-9SR	HEATIZON HOTT WIRE (SELF REGULATING) IN CONCRETE & JOINT DETAIL	DRAWING BY: ACI
		DATE: NOV 2009

HEATIZON SYSTEMS

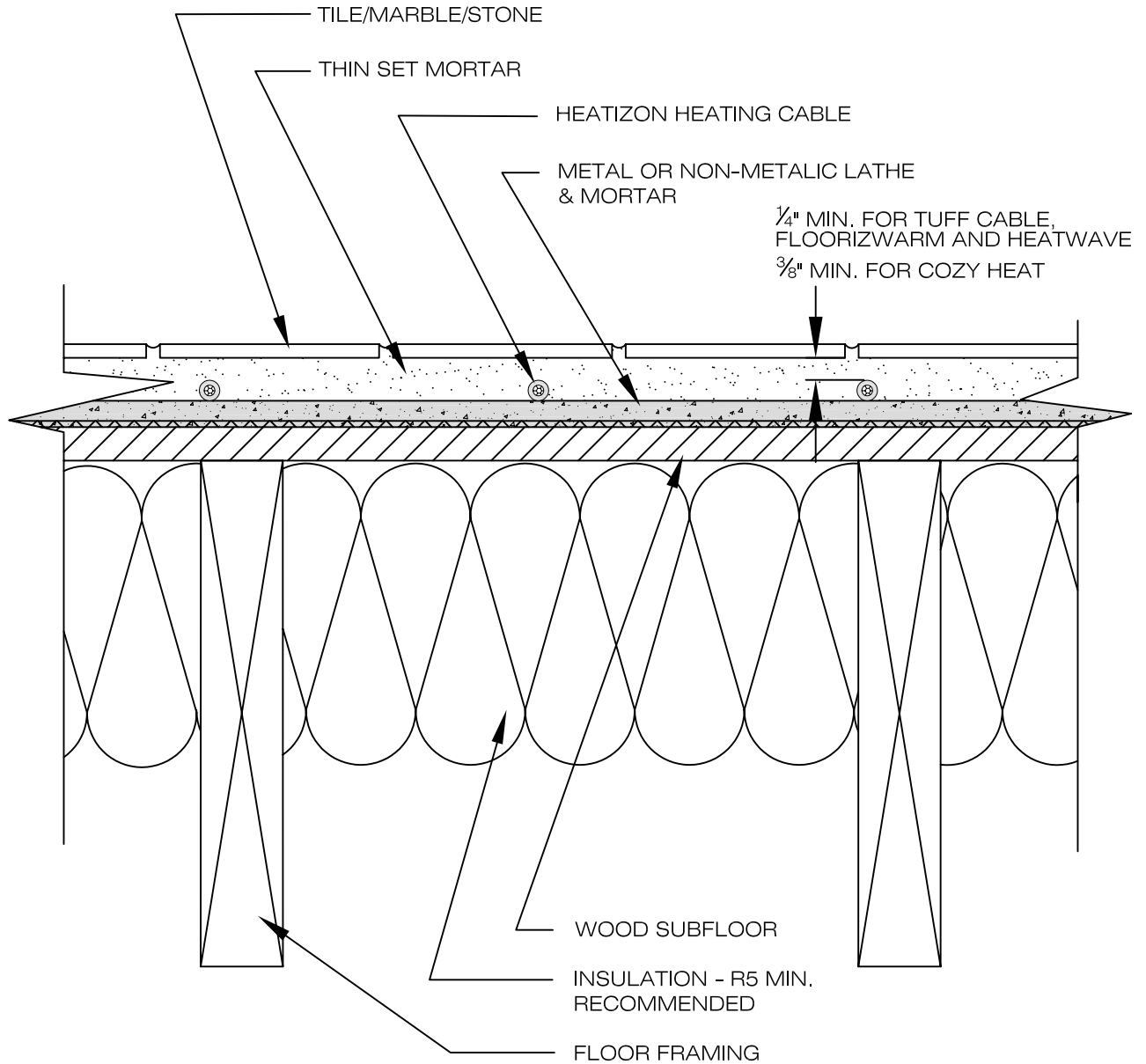
advanced floor heating / snow and ice removal systems

4137 SOUTH 500 WEST, MURRAY, UTAH 84123 PH (801) 293-1232 FAX (801) 293-3077

©2013

WARNING!!
DO NOT CUT OR DAMAGE
HEATIZON HEATING CABLE ELEMENT OR
ITS INSULATOR IN ANY WAY.

NOTE:
METAL LATHE NEEDS TO BE COVERED
WITH THIN SET BEFORE HEATING
CABLE ELEMENT GOES OVER IT.



DRAWING NO.:
FH-10

**HEATIZON HEATING CABLE ELEMENT UNDER
TILE/STONE w/LATHE ON WOOD SUBFLOOR**

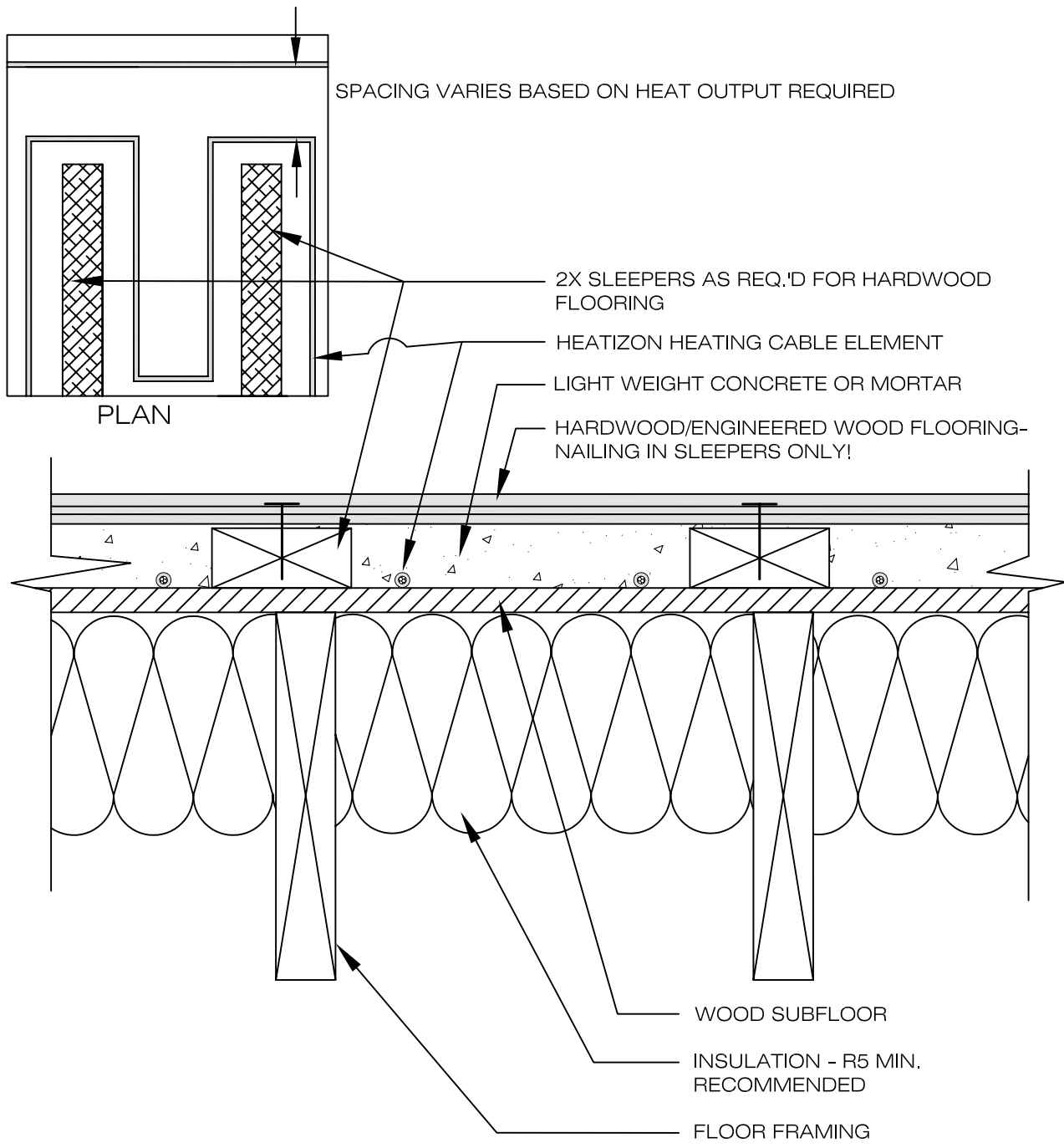
DRAWING BY:
ACI
DATE:
NOV 2009

HEATIZON SYSTEMS

advanced floor heating/ snow and ice removal systems

4137 SOUTH 500 WEST, MURRAY, UTAH 84123 PH (801) 293-1232 FAX (801) 293-3077

©2009



WARNING!!
 DO NOT CUT OR DAMAGE
 HEATIZON HEATING CABLE ELEMENT OR
 ITS INSULATOR IN ANY WAY

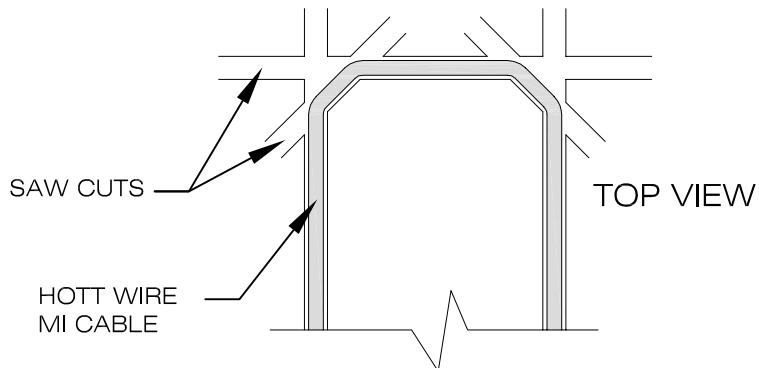
DRAWING NO.: FH-11	HEATIZON HEATING CABLE ELEMENT UNDER HARDWOOD/ENGINEERED WOOD IN LIGHT WEIGHT CONCRETE ON WOOD SUBFLOOR	DRAWING BY: ACI
		DATE: NOV 2009

HEATIZON SYSTEMS

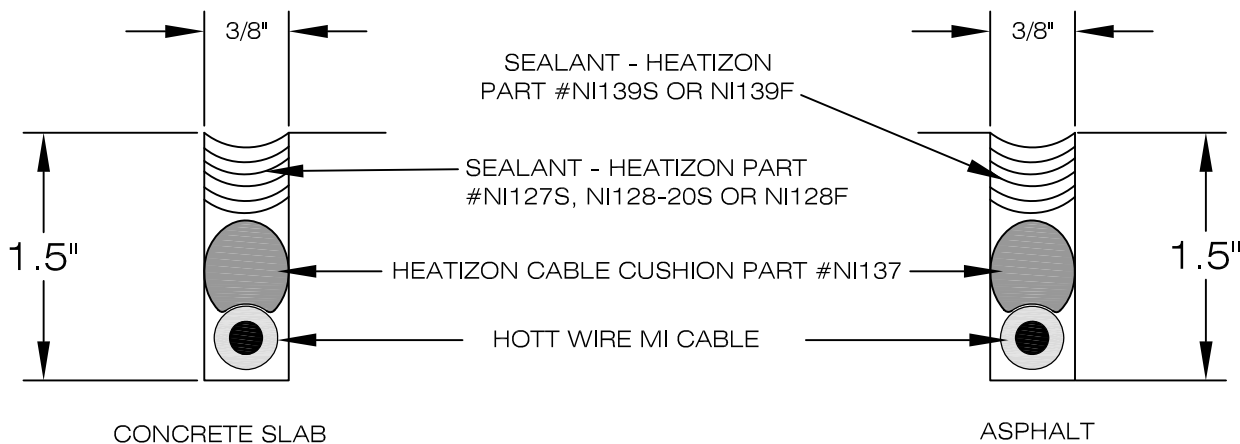
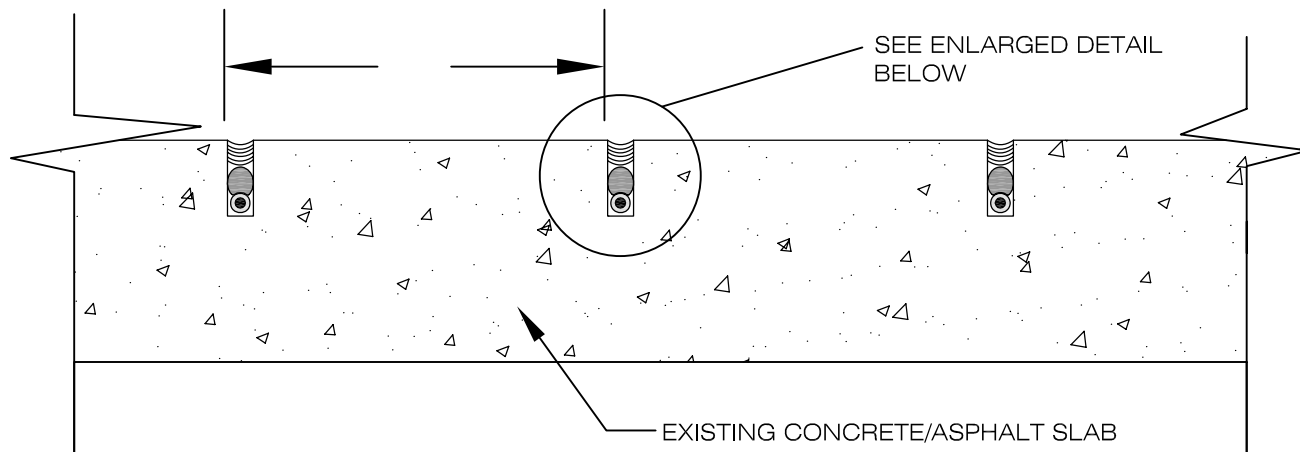
advanced floor heating/ snow and ice removal systems
 4137 SOUTH 500 WEST, MURRAY, UTAH 84123 PH (801) 293-1232 FAX (801) 293-3077
 ©2009

When installing Heatizon Systems products, strict compliance with the National Electrical Code, the Canadian Electrical Code, state and local buildings codes, and Heatizon Systems Design and Installation Manual is essential.

WARNING!!
 DO NOT CUT OR DAMAGE
 HEATIZON HEATING CABLE ELEMENT OR
 ITS INSULATOR IN ANY WAY



SPACING VARIES BASED ON
 HEAT OUTPUT REQUIRED



DRAWING NO.: FH-13H	HOTT WIRE MI CABLE RETROFIT IN CONCRETE OR ASPHALT	DRAWING BY: RJB
		DATE: JUNE 2013

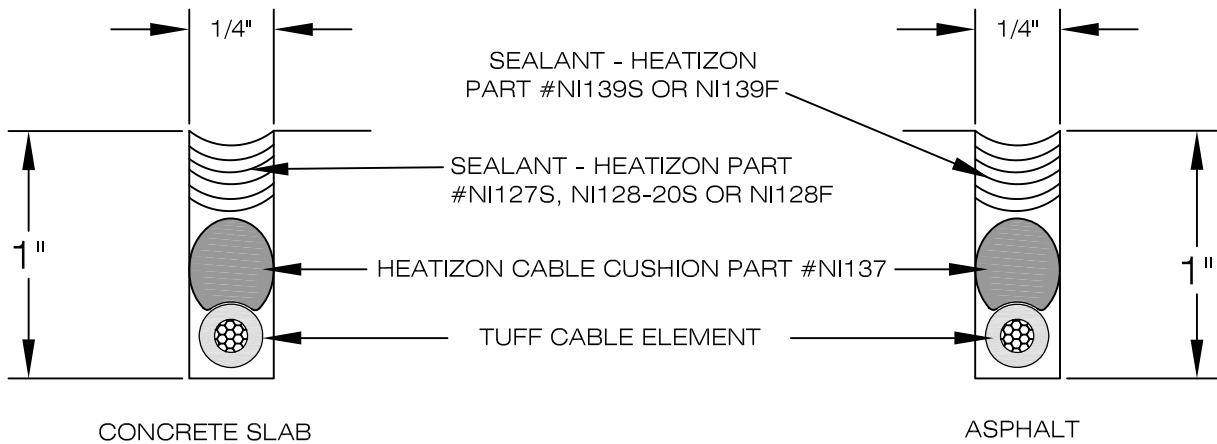
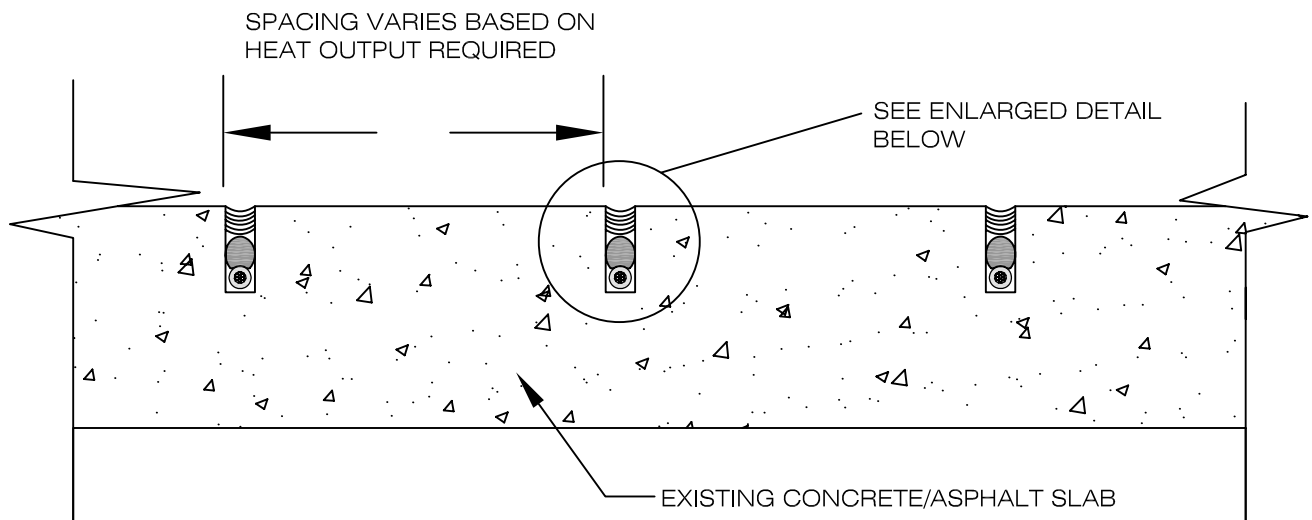
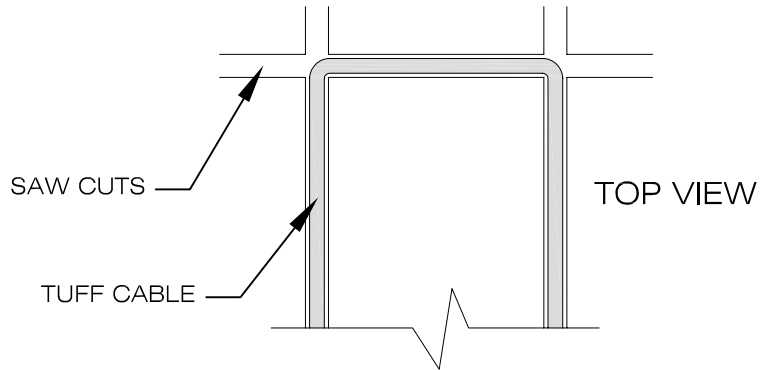
HEATIZON SYSTEMS

advanced floor heating/ snow and ice removal systems

4137 SOUTH 500 WEST, MURRAY, UTAH 84123 PH (801) 293-1232 FAX (801) 293-3077

©2013

WARNING!!
 DO NOT CUT OR DAMAGE
 HEATIZON HEATING CABLE ELEMENT OR
 ITS INSULATOR IN ANY WAY



DRAWING NO.:

FH-13

**TUFF CABLE ELEMENT RETROFIT IN
CONCRETE OR ASPHALT**

DRAWING BY:

RJB

DATE:

JUNE 2013

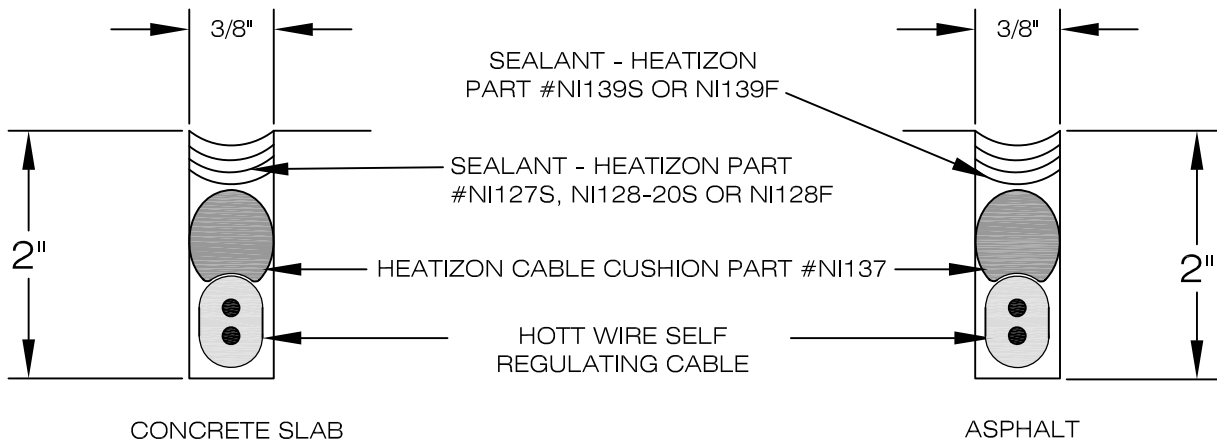
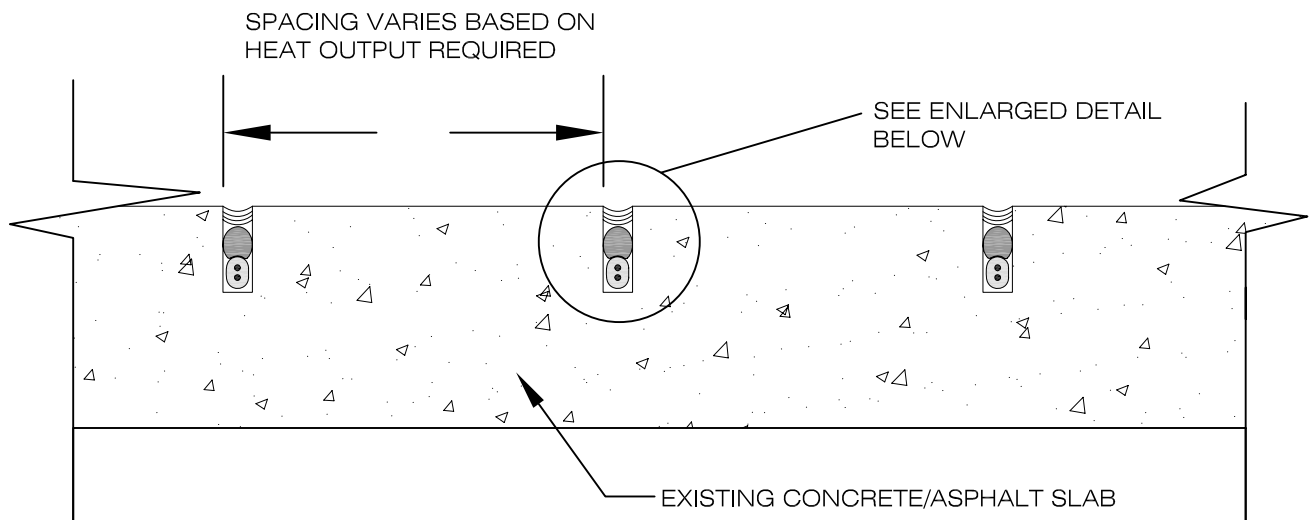
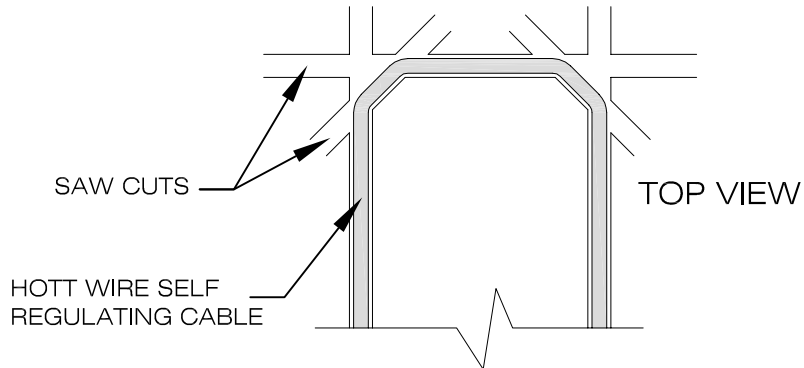
HEATIZON SYSTEMS

advanced floor heating/ snow and ice removal systems

4137 SOUTH 500 WEST, MURRAY, UTAH 84123 PH (801) 293-1232 FAX (801) 293-3077

©2013

WARNING!!
 DO NOT CUT OR DAMAGE
 HEATIZON HEATING CABLE ELEMENT OR
 ITS INSULATOR IN ANY WAY

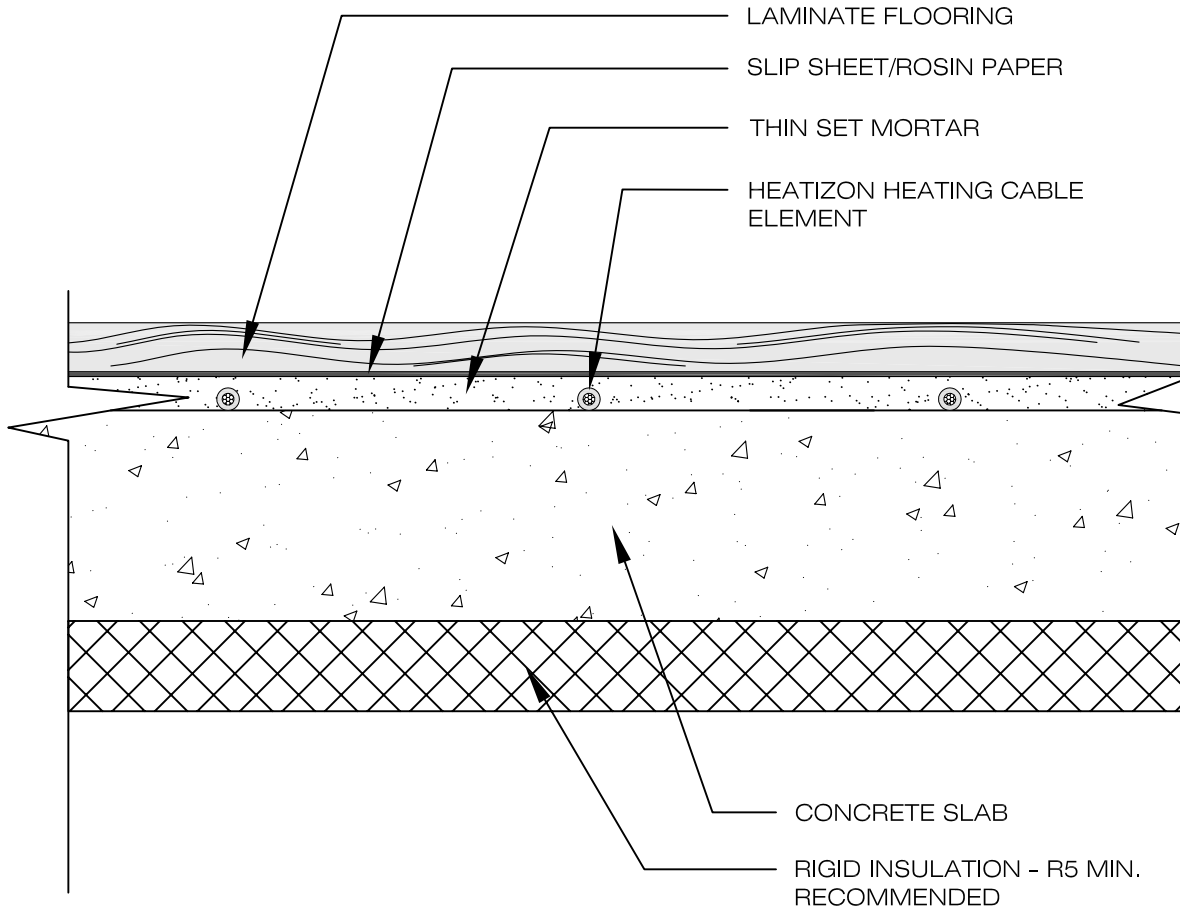


DRAWING NO.: FH-13HS	HOTT WIRE SELF REGULATING CABLE RETROFIT IN CONCRETE OR ASPHALT	DRAWING BY: RJB
		DATE: JUNE 2013

HEATIZON SYSTEMS
advanced floor heating/ snow and ice removal systems
 4137 SOUTH 500 WEST, MURRAY, UTAH 84123 PH (801) 293-1232 FAX (801) 293-3077
 ©2013

When installing Heatizon Systems products, strict compliance with the National Electrical Code, the Canadian Electrical Code, state and local buildings codes, and Heatizon Systems Design and Installation Manual is essential.

WARNING!!
 DO NOT CUT OR DAMAGE
 HEATIZON HEATING CABLE ELEMENT OR
 ITS INSULATOR IN ANY WAY



DRAWING NO.:
FH-21

**TUFF CABLE UNDER LAMINATE FLOORING
 ON CONCRETE SLAB**

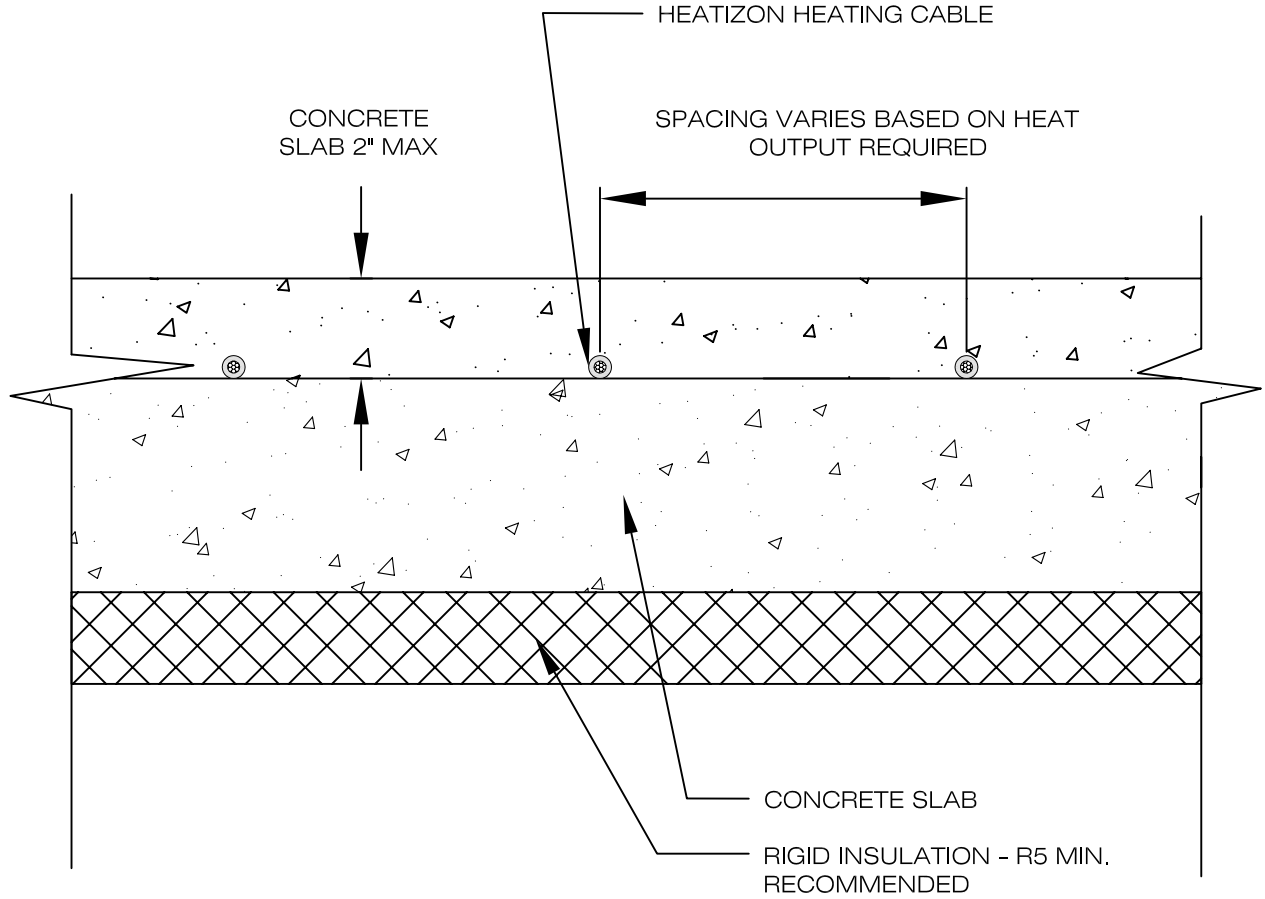
DRAWING BY:
 ACI
 DATE:
 NOV 2009

HEATIZON SYSTEMS

advanced floor heating/ snow and ice removal systems
 4137 SOUTH 500 WEST, MURRAY, UTAH 84123 PH (801) 293-1232 FAX (801) 293-3077
 ©2009

When installing Heatizon Systems products, strict compliance with the National Electrical Code, the Canadian Electrical Code, state and local buildings codes, and Heatizon Systems Design and Installation Manual is essential.

WARNING!!
 DO NOT CUT OR DAMAGE
 HEATIZON HEATING CABLE
 ELEMENT OR ITS INSULATOR
 IN ANY WAY



DRAWING NO.:
FH-22

**HEATIZON HEATING CABLE ELEMENT IN
 CONCRETE ON CONCRETE SLAB**

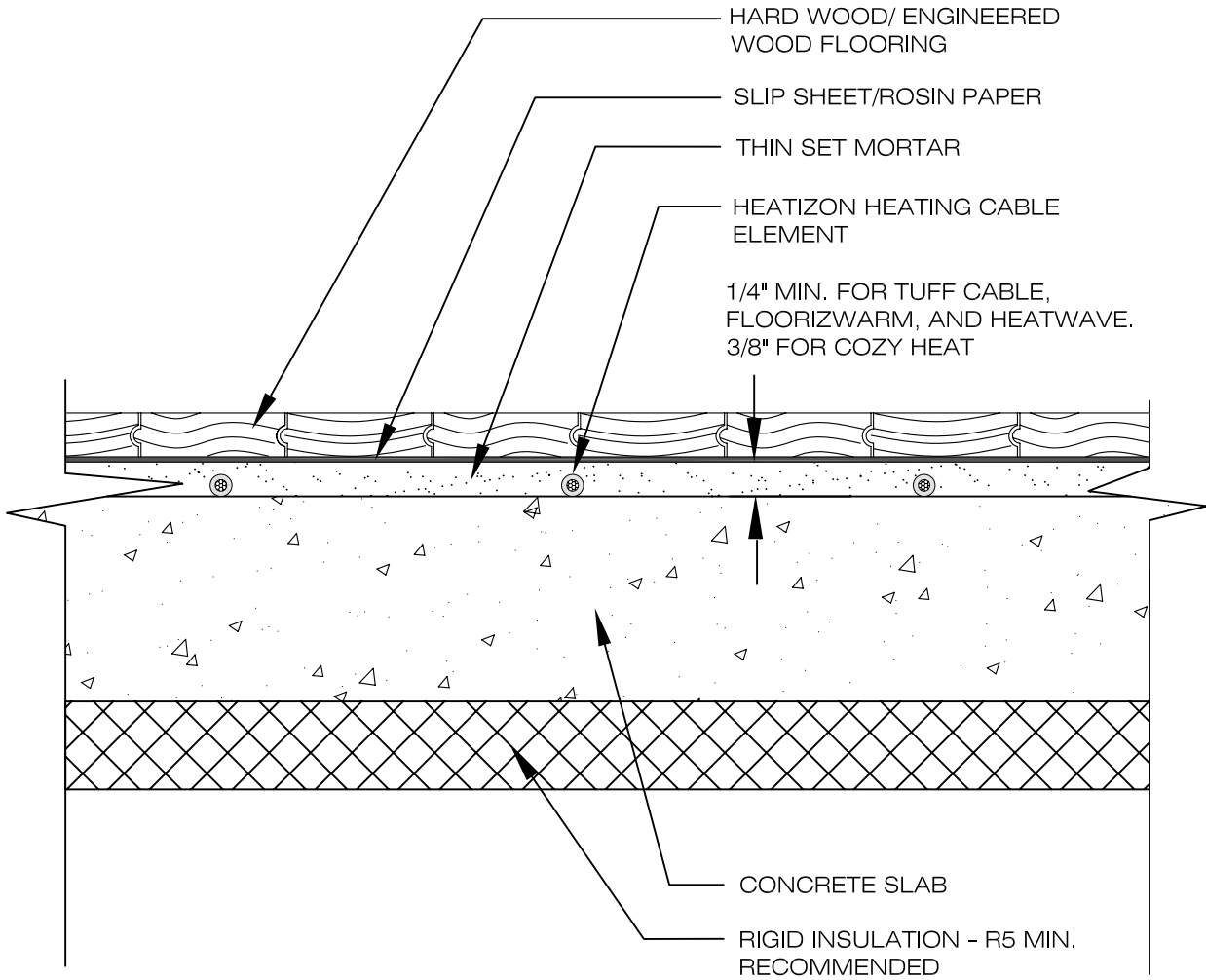
DRAWING BY:
 ACI
 DATE:
 NOV 2009

HEATIZON SYSTEMS

advanced floor heating/ snow and ice removal systems
 4137 SOUTH 500 WEST, MURRAY, UTAH 84123 PH (801) 293-1232 FAX (801) 293-3077
 ©2009

When installing Heatizon Systems products, strict compliance with the National Electrical Code, the Canadian Electrical Code, state and local buildings codes, and Heatizon Systems Design and Installation Manual is essential.

WARNING!!
 DO NOT CUT OR DAMAGE
 HEATIZON HEATING CABLE ELEMENT
 OR ITS INSULATOR IN ANY WAY



DRAWING NO.:
FH-23

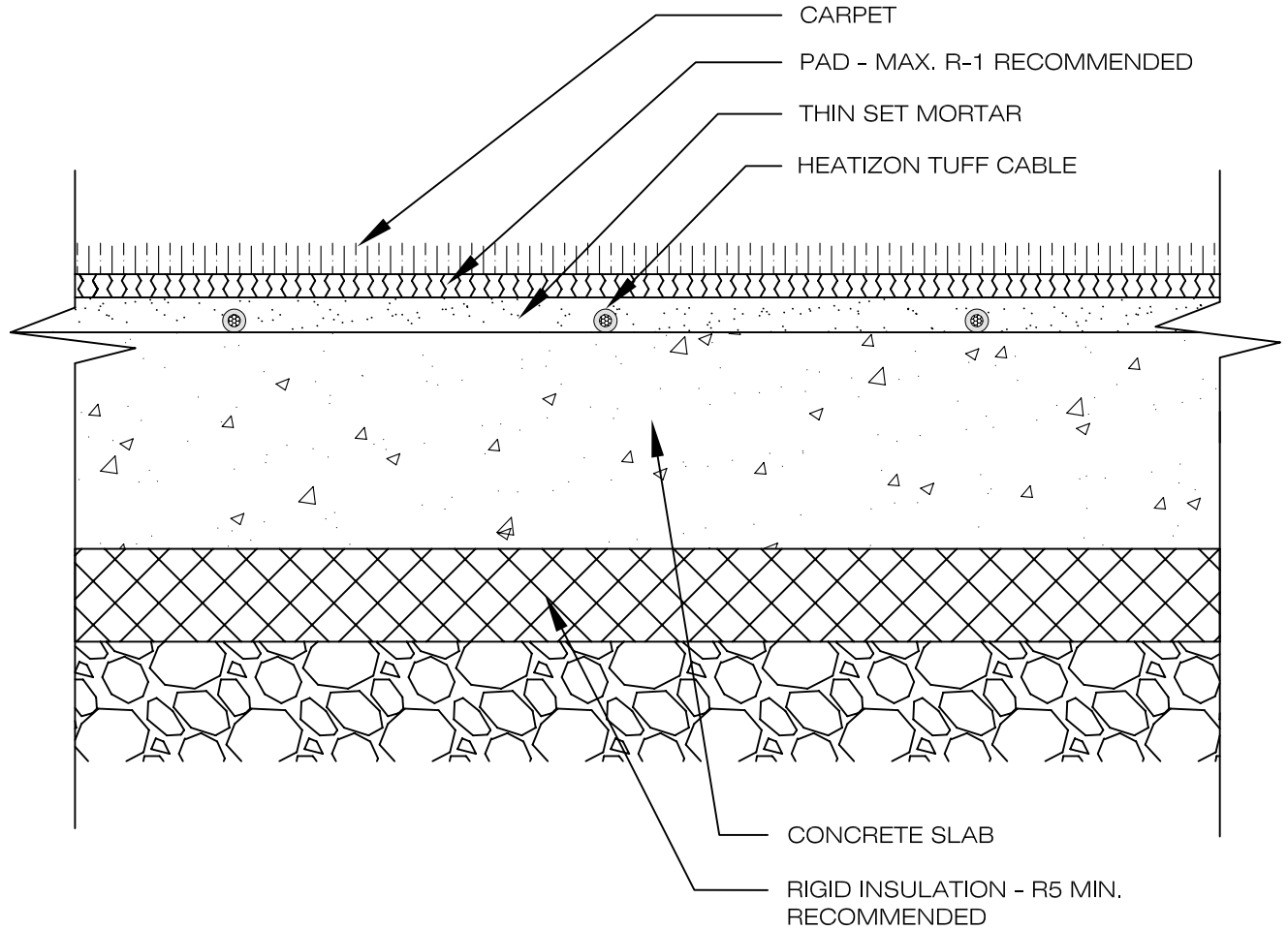
**HEATIZON HEATING CABLE ELEMENT UNDER
 FLOATING WOOD/ENGINEERED WOOD
 FLOORING ON CONCRETE SLAB**

DRAWING BY:
 ACI
 DATE:
 NOV 2009

HEATIZON SYSTEMS

advanced floor heating/ snow and ice removal systems
 4137 SOUTH 500 WEST, MURRAY, UTAH 84123 PH (801) 293-1232 FAX (801) 293-3077
 ©2009

WARNING!!
 DO NOT CUT OR DAMAGE
 HEATIZON HEATING CABLE ELEMENT OR
 ITS INSULATOR IN ANY WAY



DRAWING NO.: FH-24	TUFF CABLE UNDER CARPET & PAD ON CONCRETE SLAB	DRAWING BY: ACI DATE: NOV 2009
------------------------------	---	---

HEATIZON SYSTEMS
advanced floor heating/ snow and ice removal systems
 4137 SOUTH 500 WEST, MURRAY, UTAH 84123 PH (801) 293-1232 FAX (801) 293-3077
 ©2009

When installing Heatizon Systems products, strict compliance with the National Electrical Code, the Canadian Electrical Code, state and local buildings codes, and Heatizon Systems Design and Installation Manual is essential.