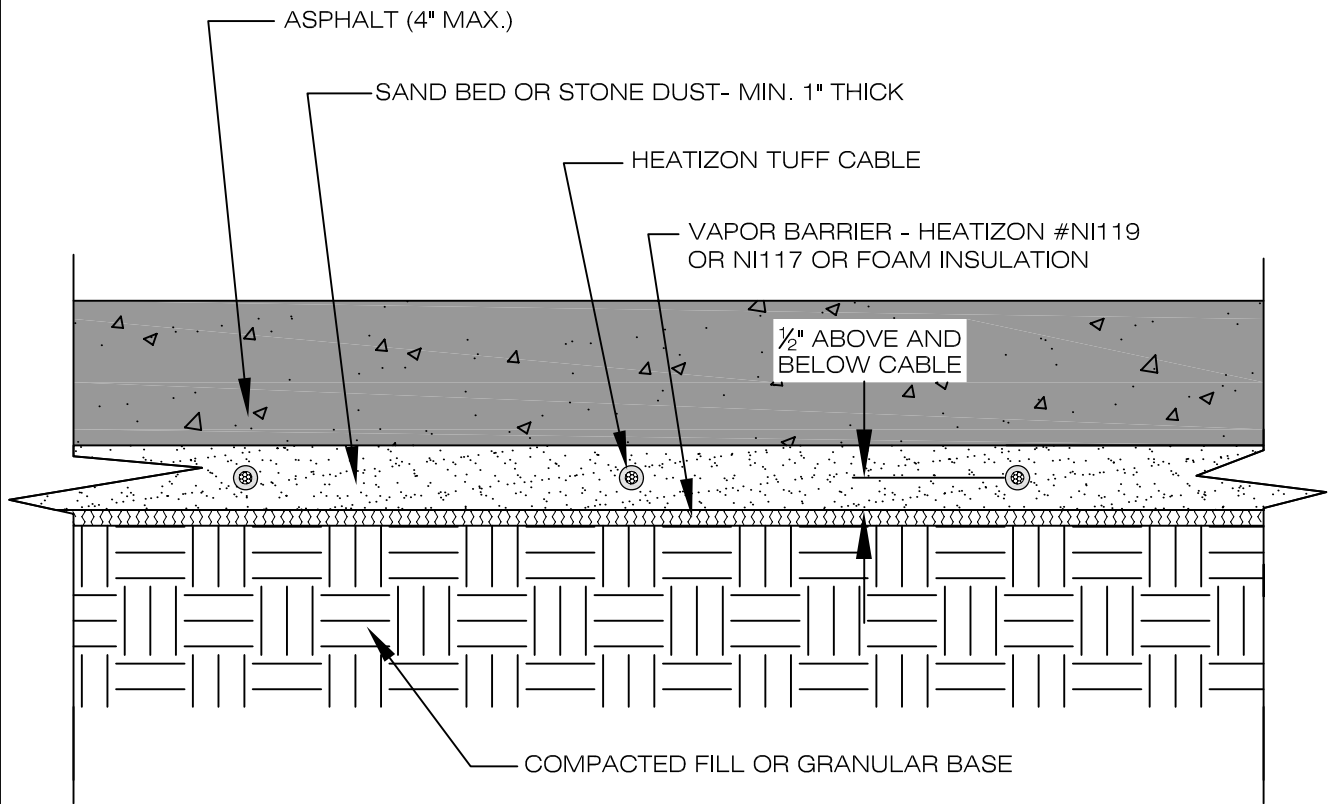


**WARNING!!**  
 DO NOT CUT OR DAMAGE  
 HEATIZON HEATING CABLE ELEMENT OR  
 IT'S INSULATOR IN ANY WAY

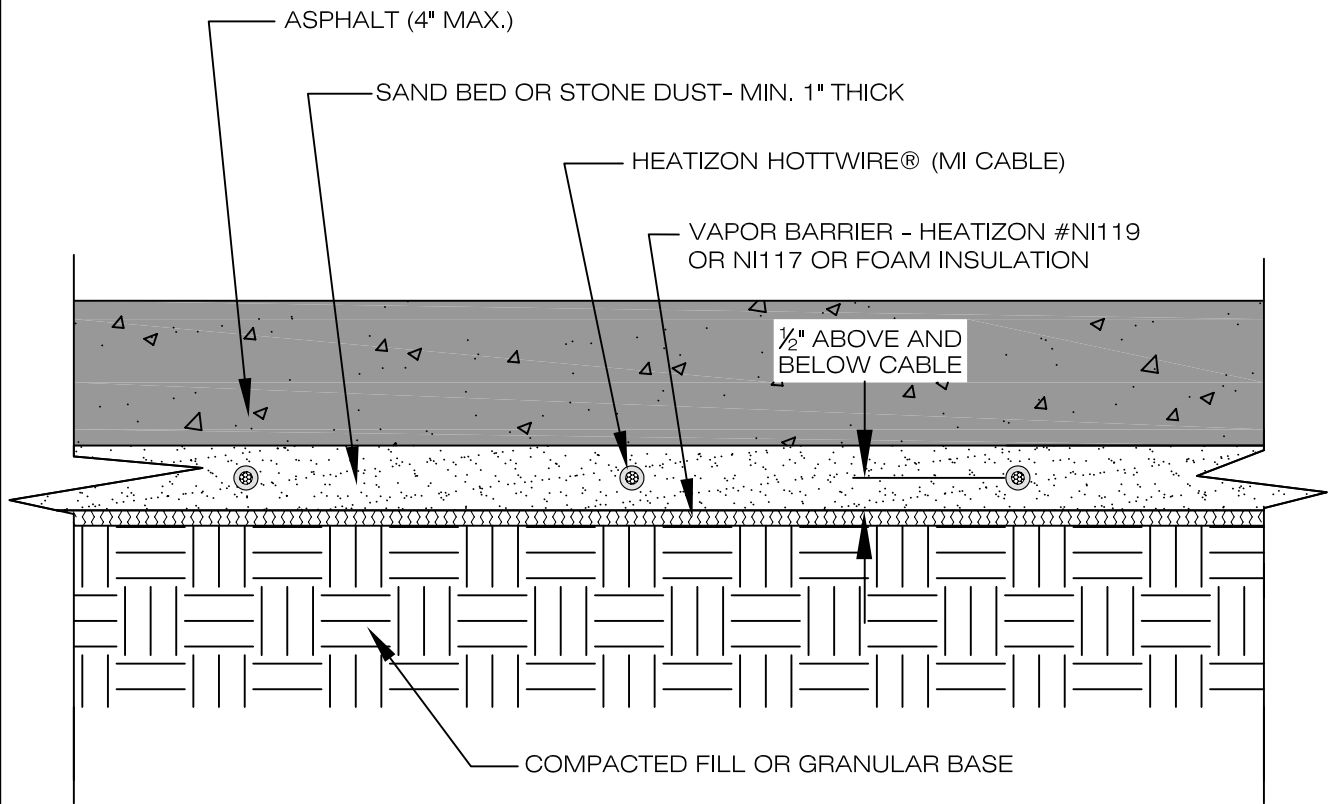


DRAWING NO.: <b>SM-2</b>	<b>HEATIZON TUFF CABLE ELEMENT UNDER ASPHALT</b>	DRAWING BY: RJB
		DATE: JAN. 2014

**HEATIZON SYSTEMS**  
*advanced floor heating/ snow and ice removal systems*  
 4137 SOUTH 500 WEST, MURRAY, UTAH 84123 PH (801) 293-1232 FAX (801) 293-3077  
 ©2014

When installing Heatizon Systems products, strict compliance with the National Electrical Code, the Canadian Electrical Code, state and local buildings codes, and Heatizon Systems Design and Installation Manual is essential.

**WARNING!!**  
 DO NOT CUT OR DAMAGE  
 HEATIZON HEATING CABLE ELEMENT OR  
 ITS INSULATOR IN ANY WAY



DRAWING NO.:  
**SM-2MI**

**HEATIZON HOTTWIRE® (MICABLE)  
 ELEMENT UNDER ASPHALT**

DRAWING BY:  
 JNL, ACI

DATE:  
 SEP. 2010

**HEATIZON SYSTEMS**

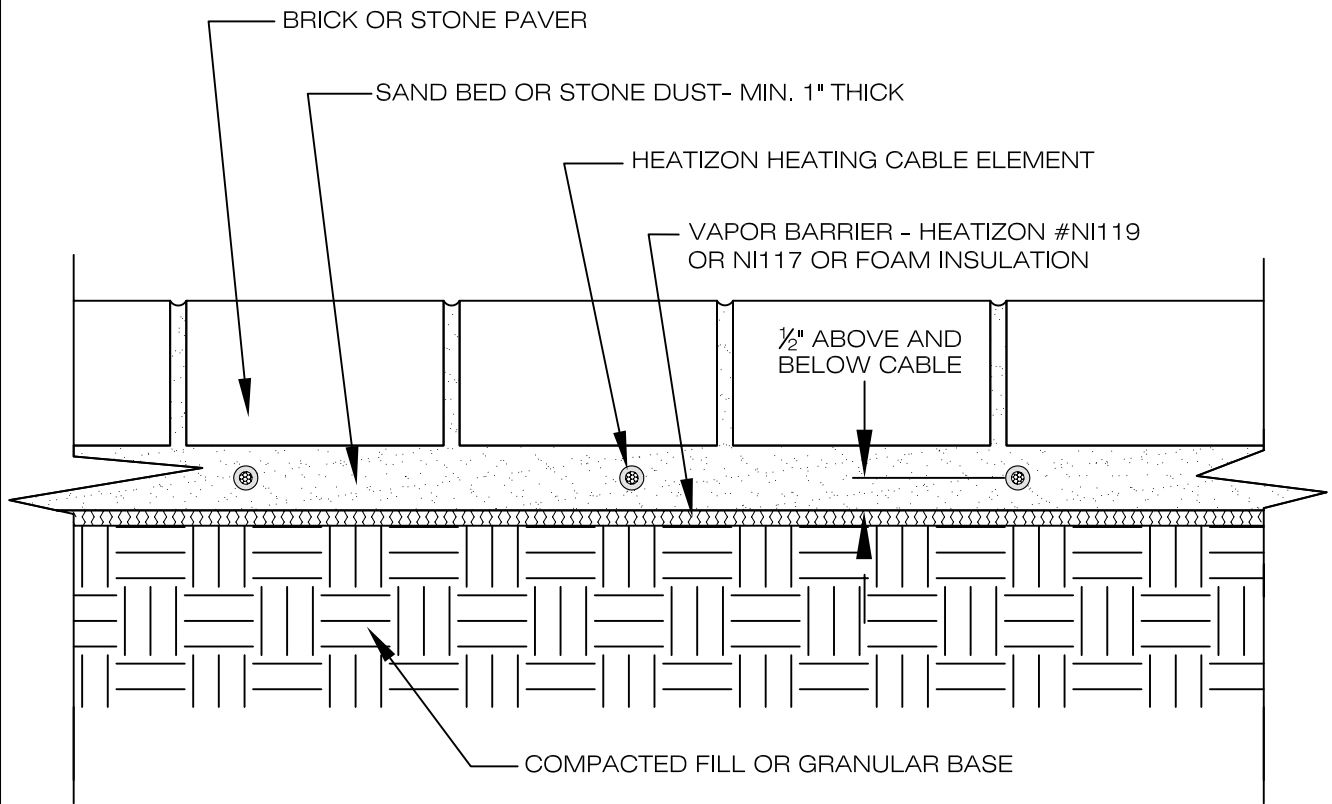
*advanced floor heating/ snow and ice removal systems*

4137 SOUTH 500 WEST, MURRAY, UTAH 84123 PH (801) 293-1232 FAX (801) 293-3077

©2010

When installing Heatizon Systems products, strict compliance with the National Electrical Code, the Canadian Electrical Code, state and local buildings codes, and Heatizon Systems Design and Installation Manual is essential.

**WARNING!!**  
 DO NOT CUT OR DAMAGE  
 HEATIZON HEATING CABLE ELEMENT OR  
 ITS INSULATOR IN ANY WAY



DRAWING NO.:

**SM-3**

**HEATIZON HEATING CABLE ELEMENT IN  
 SAND BED UNDER PAVERS**

DRAWING BY:

JNL, ACI

DATE:

NOV 2009

**HEATIZON SYSTEMS**

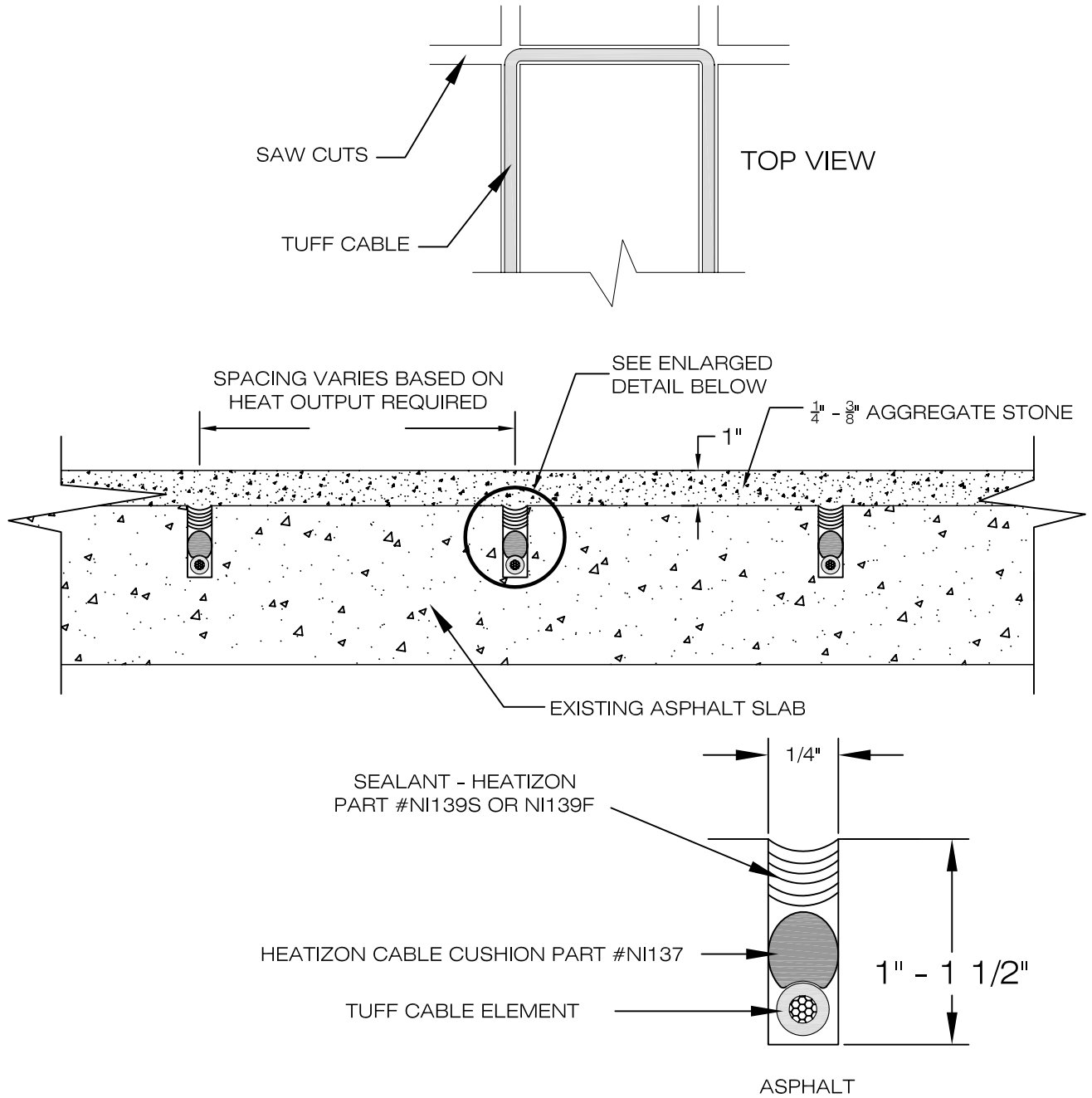
*advanced floor heating/ snow and ice removal systems*

4137 SOUTH 500 WEST, MURRAY, UTAH 84123 PH (801) 293-1232 FAX (801) 293-3077

©2009

When installing Heatizon Systems products, strict compliance with the National Electrical Code, the Canadian Electrical Code, state and local buildings codes, and Heatizon Systems Design and Installation Manual is essential.

**WARNING!!**  
 DO NOT CUT OR DAMAGE  
 HEATIZON HEATING CABLE ELEMENT OR  
 ITS INSULATOR IN ANY WAY

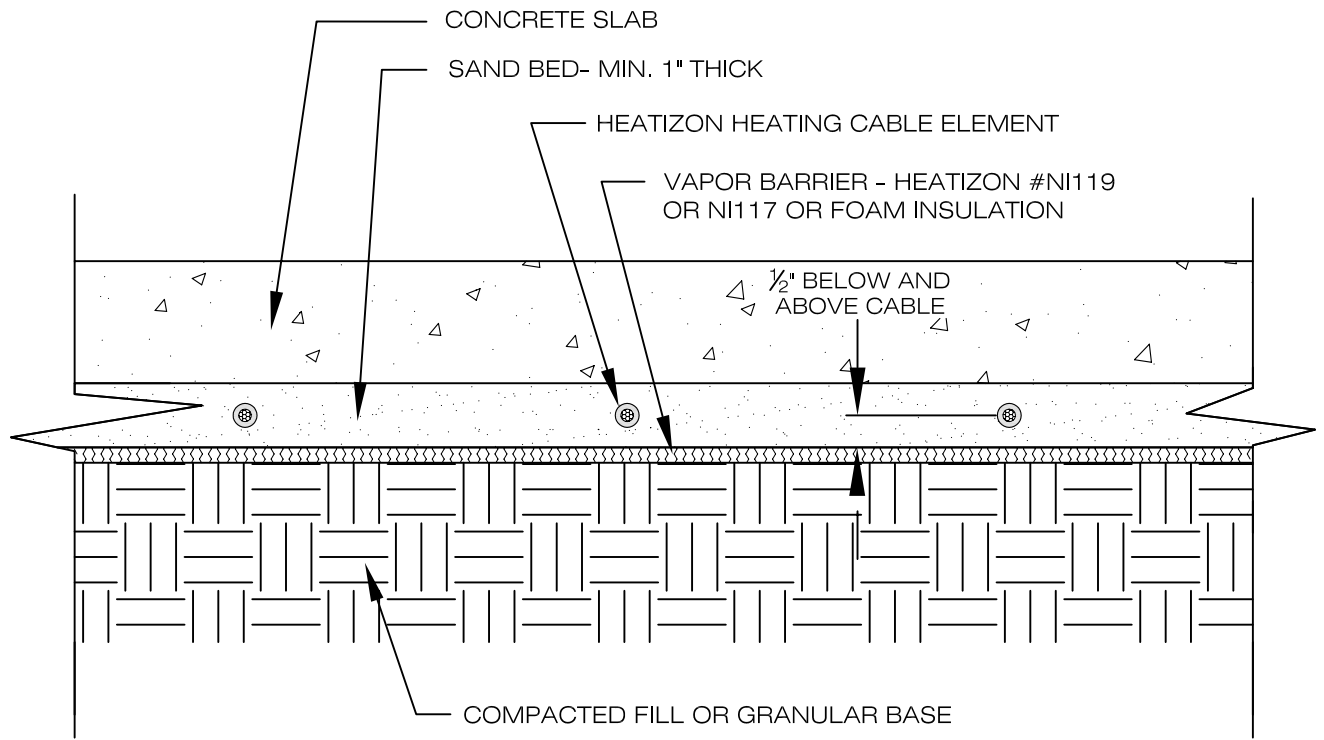


DRAWING NO.: <b>SM-4R</b>	<b>TUFF CABLE ELEMENT RETROFIT IN ASPHALT w/ AGGREGATE TOP COAT</b>	DRAWING BY: ACI
		DATE: SEP 2010

**HEATIZON SYSTEMS**  
*advanced floor heating/ snow and ice removal systems*  
 4137 SOUTH 500 WEST, MURRAY, UTAH 84123 PH (801) 293-1232 FAX (801) 293-3077  
 ©2010

When installing Heatizon Systems products, strict compliance with the National Electrical Code, the Canadian Electrical Code, state and local buildings codes, and Heatizon Systems Design and Installation Manual is essential.

**WARNING!!**  
 DO NOT CUT OR DAMAGE  
 HEATIZON HEATING CABLE ELEMENT OR  
 IT'S INSULATOR IN ANY WAY



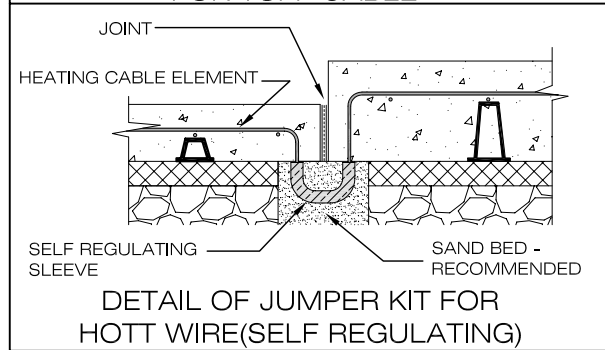
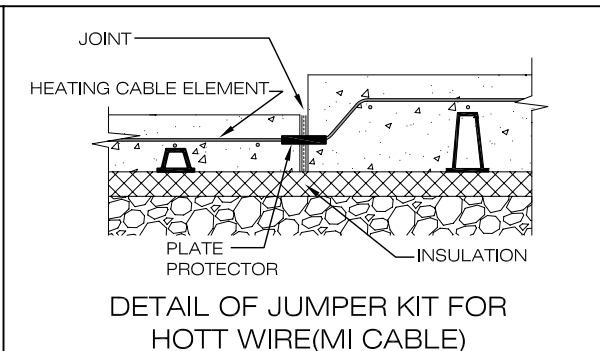
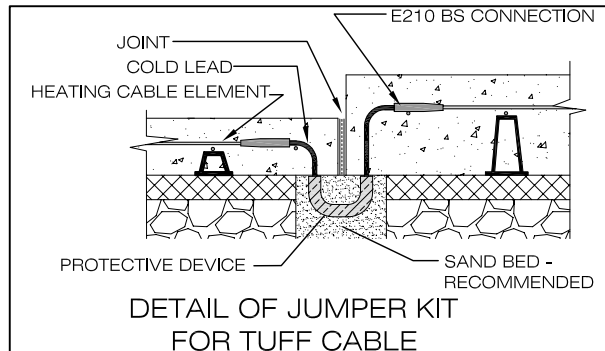
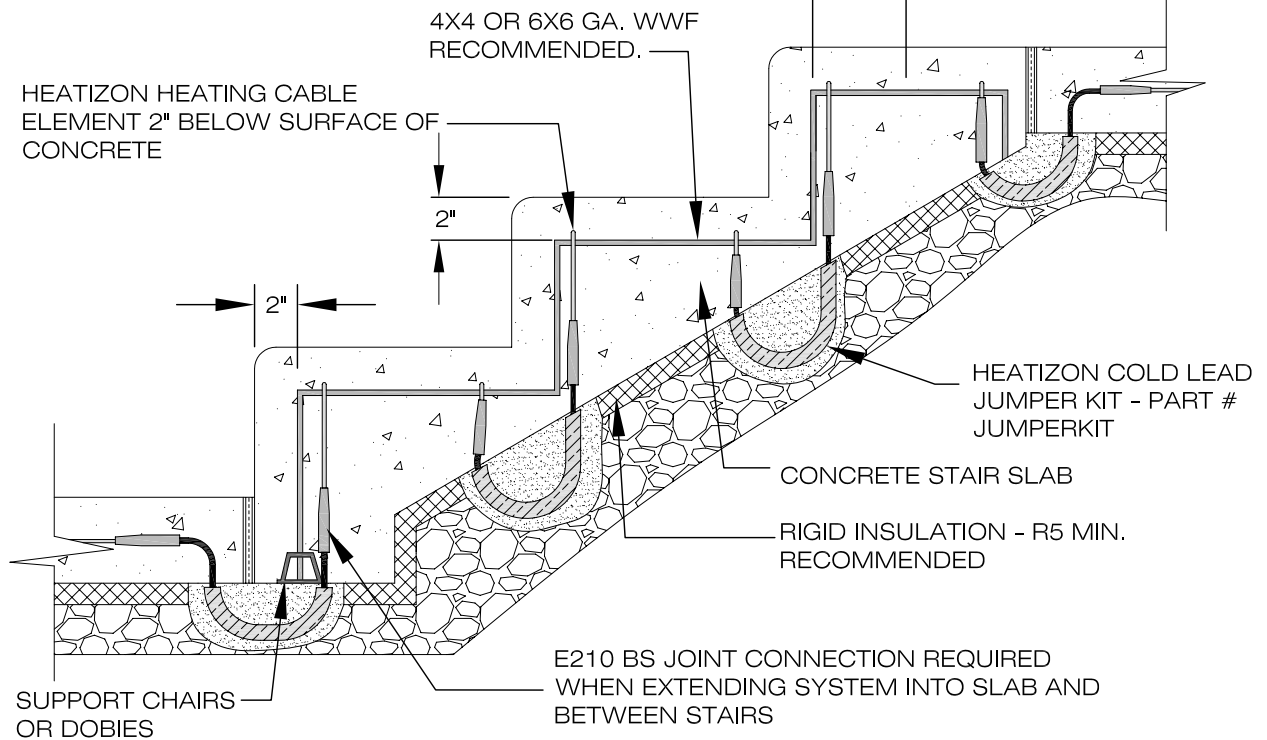
DRAWING NO.: <b>SM-5</b>	<b>HEATIZON HEATING CABLE ELEMENT IN SAND BED UNDER CONCRETE SLAB</b>	DRAWING BY: ACI
		DATE: NOV 2009

**HEATIZON SYSTEMS**  
*advanced floor heating/ snow and ice removal systems*  
 4137 SOUTH 500 WEST, MURRAY, UTAH 84123 PH (801) 293-1232 FAX (801) 293-3077  
 ©2009

When installing Heatizon Systems products, strict compliance with the National Electrical Code, the Canadian Electrical Code, state and local buildings codes, and Heatizon Systems Design and Installation Manual is essential.

**WARNING!!**  
DO NOT CUT OR DAMAGE  
HEATIZON HEATING CABLE ELEMENT OR  
IT'S INSULATOR IN ANY WAY

SPACING OF HEATING CABLE  
ELEMENT VARIES BASED ON  
HEAT OUTPUT REQUIRED



**NOTE:**  
PROTECTIVE DEVICE IS TO  
PREVENT CONCRETE  
ENCASEMENT. PROTECTIVE  
DEVICE SHOULD NOT  
EXTEND INTO CONCRETE

**SLABS w/ELEV.  
DIFFERENTIALS**

DRAWING NO.: <b>SM-6</b>	<b>HEATIZON HEATING CABLE ELEMENT IN CONCRETE STAIR SLAB &amp; SLABS w/ELEVATION DIFFERENTIALS</b>	DRAWING BY: ACI
		DATE: NOV 2009

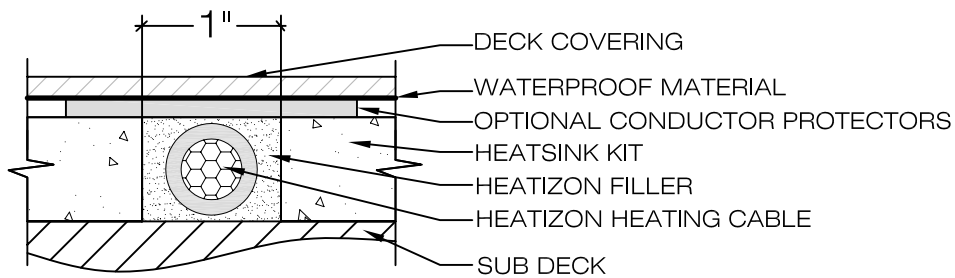
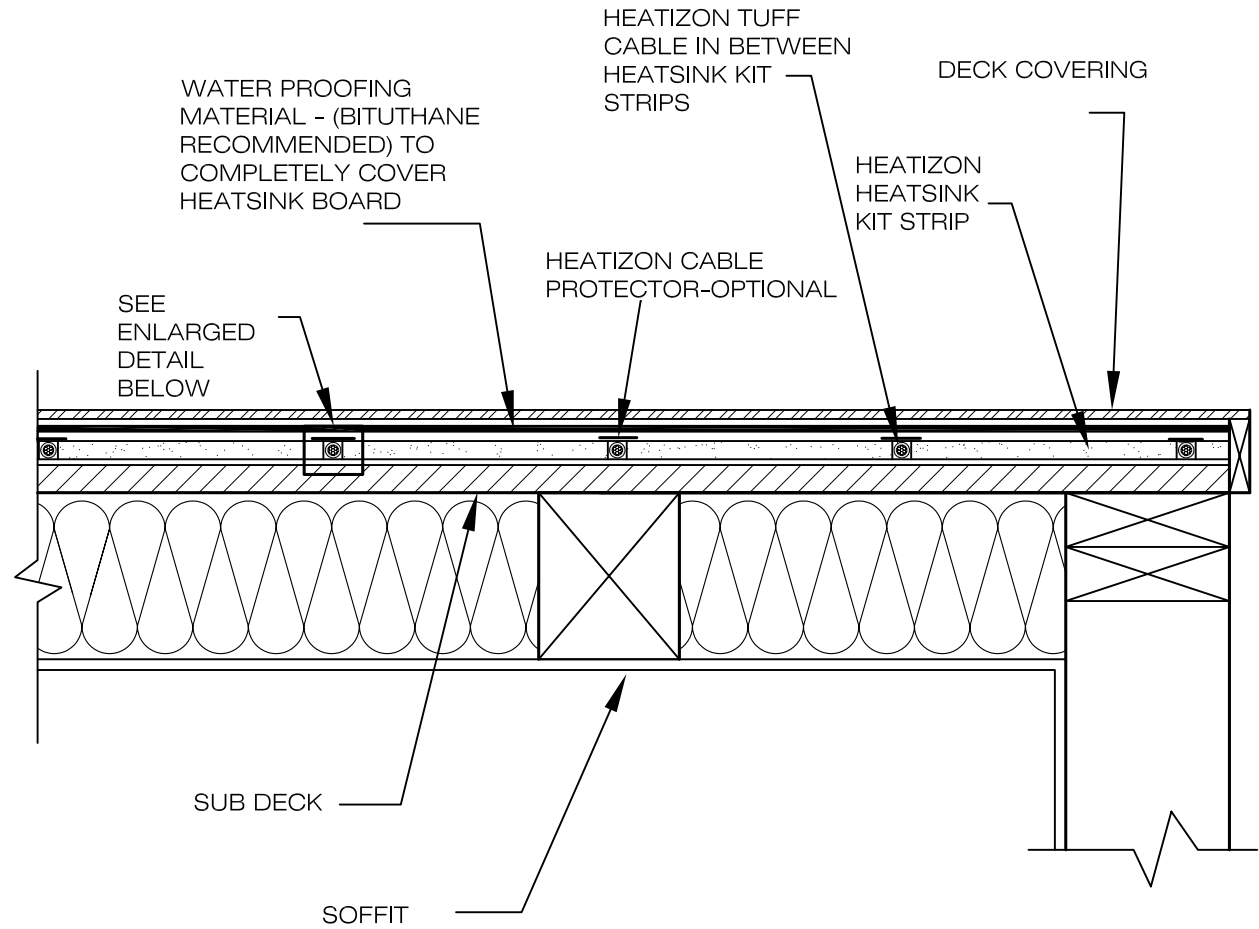
# HEATIZON SYSTEMS

*advanced floor heating/ snow and ice removal systems*

4137 SOUTH 500 WEST, MURRAY, UTAH 84123 PH (801) 293-1232 FAX (801) 293-3077

©2009

**WARNING!!**  
DO NOT CUT OR DAMAGE HEATIZON HEATING  
CABLE ELEMENT OR IT'S INSULATOR IN ANY WAY



**DETAIL**  
NOT TO SCALE

**NOTE:**  
ALL ATTACHMENTS FOR  
DECK SYSTEM OR OTHER  
COMPONENTS SHOULD  
BE MADE PRIOR TO  
INSTALLATION OF  
WATER-PROOFING  
COVERING

DRAWING NO.:

**SM-7**

**HEATIZON HEATING CABLE ELEMENT IN A  
HEATSINK KIT ON A DECK**

DRAWING BY:

ACI

DATE:

NOV 2009

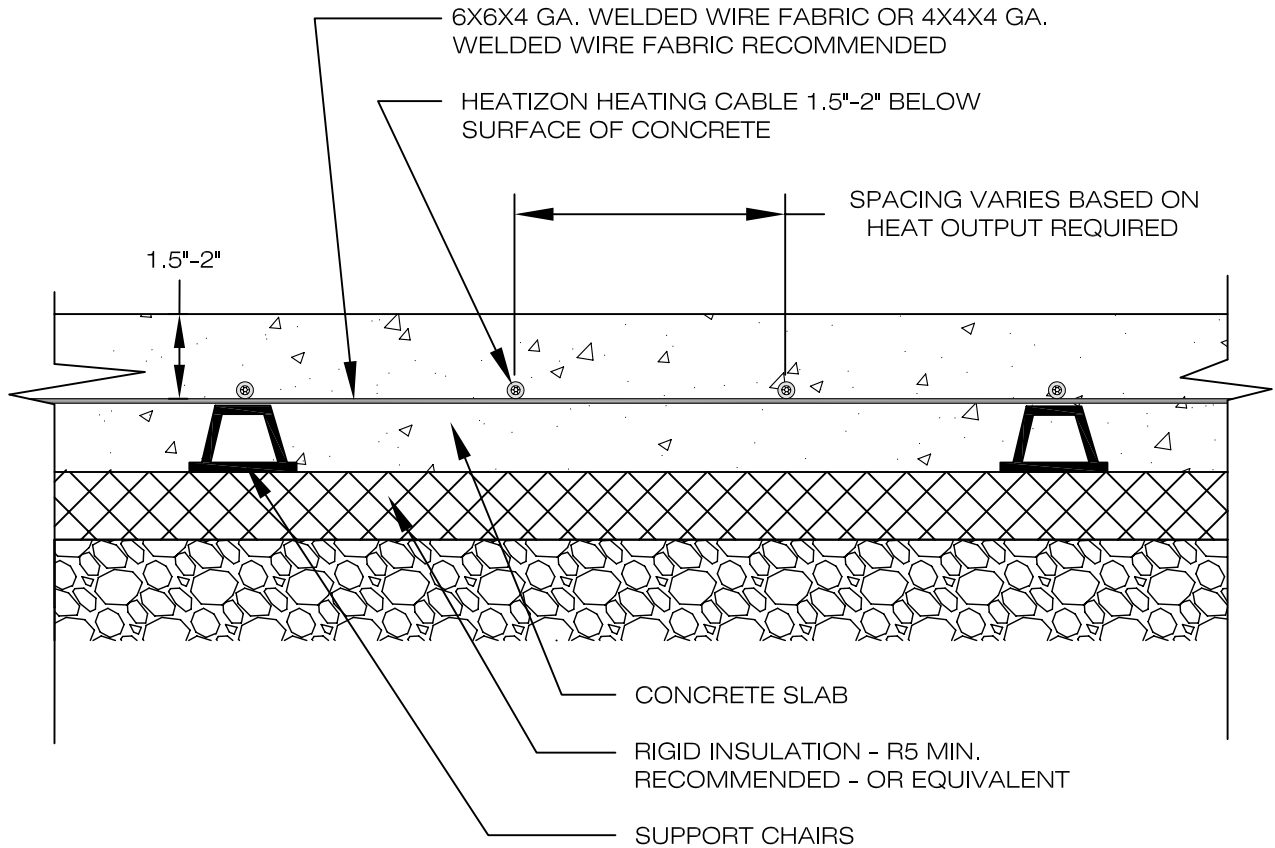
**HEATIZON SYSTEMS**

*advanced floor heating/ snow and ice removal systems*

4137 SOUTH 500 WEST, MURRAY, UTAH 84123 PH (801) 293-1232 FAX (801) 293-3077

©2009

**WARNING!!**  
 DO NOT CUT OR DAMAGE  
 HEATIZON HEATING CABLE OR  
 ITS INSULATOR IN ANY WAY



**NOTE:**  
 HEATIZON HEATING CABLE SHALL NOT EXTEND THROUGH EXPANSION, CONTROL OR ANY OTHER JOINTS. "JUMPER" TO BE USED AT ALL JOINTS. SEE HEATIZON DRAWING NO. SM-9M FOR DETAILS.

DRAWING NO.:

**SM-9**

**HEATIZON HEATING CABLE IN CONCRETE**

DRAWING BY:

ACI

DATE:

NOV 2009

**HEATIZON SYSTEMS**

*advanced floor heating/ snow and ice removal systems*

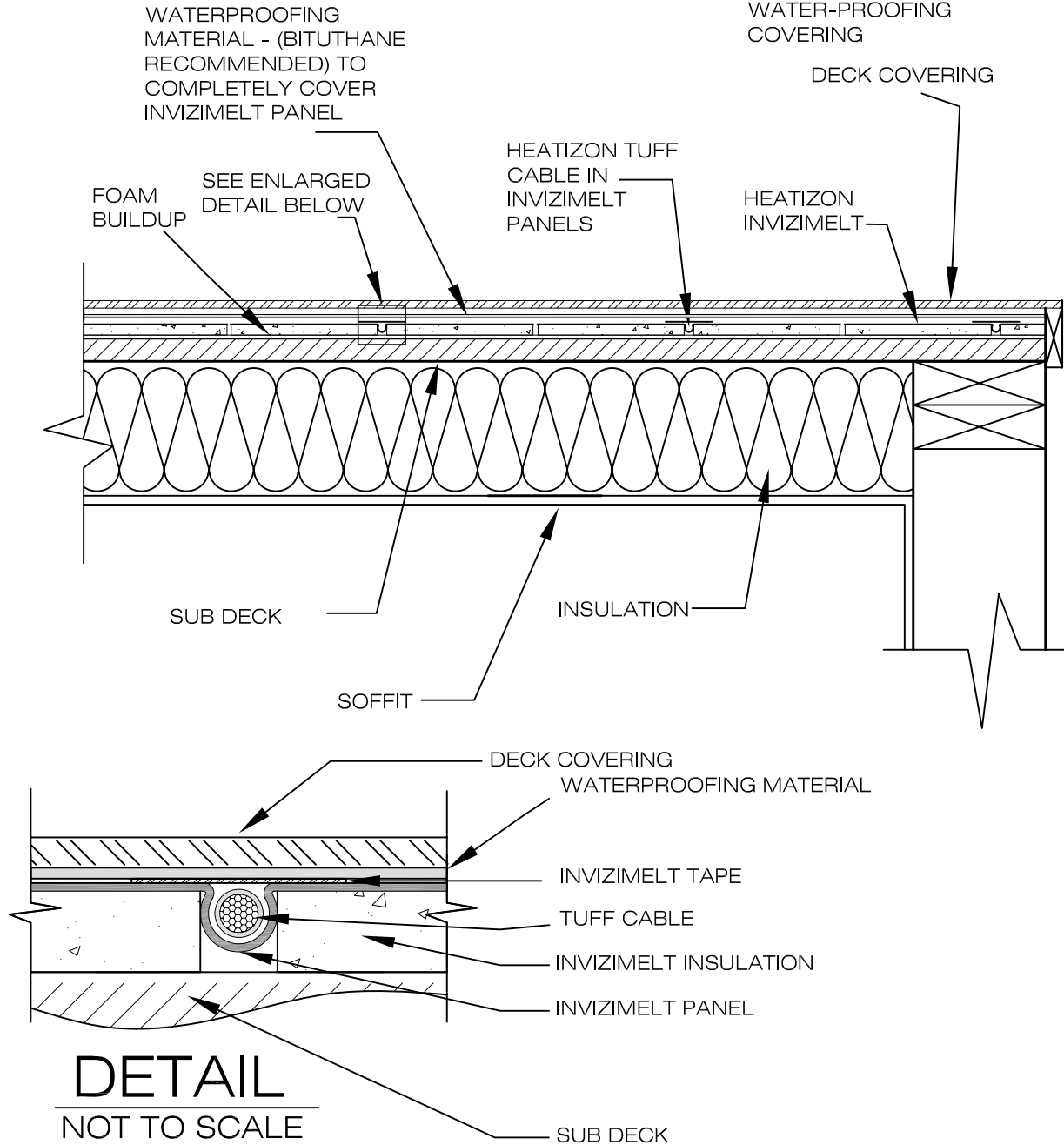
4137 SOUTH 500 WEST, MURRAY, UTAH 84123 PH (801) 293-1232 FAX (801) 293-3077

©2009



**WARNING!!**  
DO NOT CUT OR DAMAGE HEATIZON TUFF CABLE OR IT'S INSULATOR IN ANY WAY

**NOTE:**  
ALL ATTACHMENTS FOR DECK SYSTEM OR OTHER COMPONENTS SHOULD BE MADE PRIOR TO INSTALLATION OF WATER-PROOFING COVERING



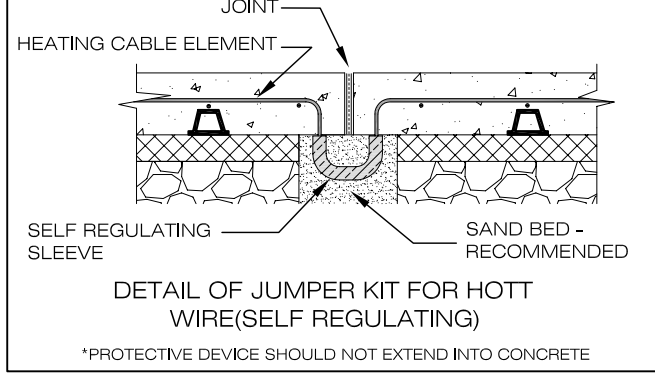
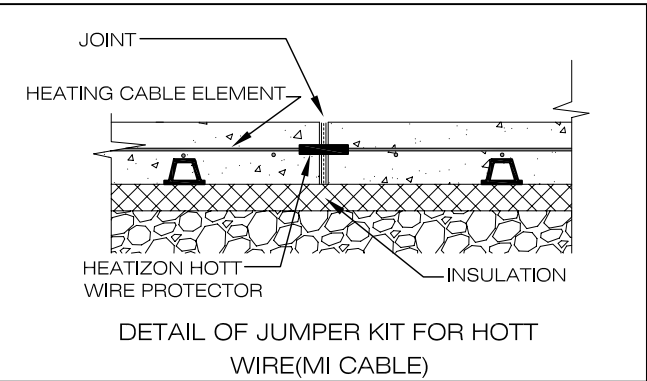
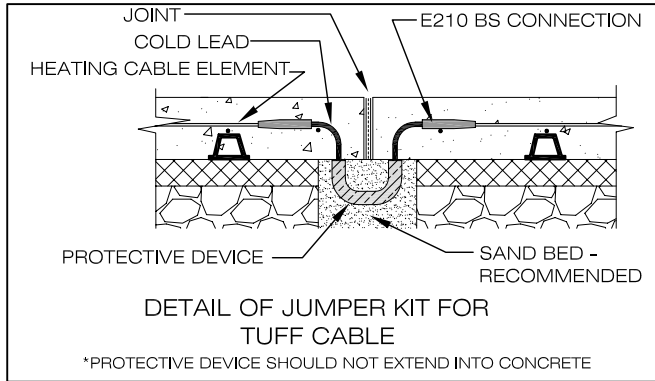
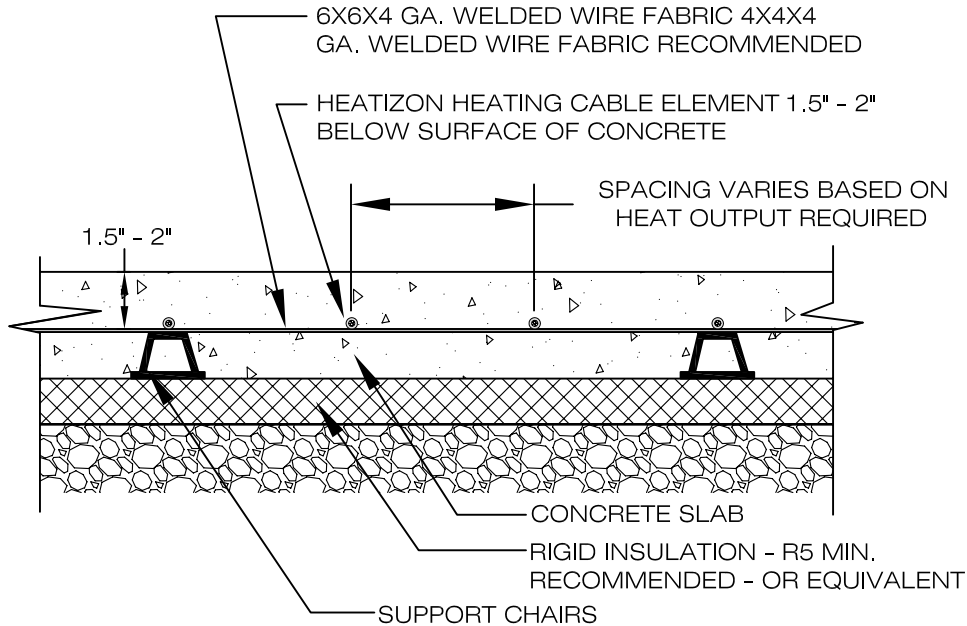
DRAWING NO.: <b>SM-7A</b>	<b>HEATIZON TUFF CABLE IN INVIZIMELT PANEL ON A DECK</b>	DRAWING BY: RJB
		DATE: MAR 2013

**HEATIZON SYSTEMS**  
*advanced floor heating/ snow and ice removal systems*  
4137 SOUTH 500 WEST, MURRAY, UTAH 84123 PH (801) 293-1232 FAX (801) 293-3077  
©2013

When installing Heatizon Systems products, strict compliance with the National Electrical Code, the Canadian Electrical Code, state and local buildings codes, and Heatizon Systems Design and Installation Manual is essential.

**WARNING!!**  
DO NOT CUT OR DAMAGE  
HEATIZON HEATING CABLE ELEMENT OR  
IT'S INSULATOR IN ANY WAY

**NOTE:**  
HEATIZON HEATING CABLE ELEMENT SHALL  
NOT EXTEND THROUGH EXPANSION,  
CONTROL OR ANY OTHER JOINTS. "JUMPER"  
TO BE USED AT ALL JOINTS.



**NOTE:**  
PROTECTIVE DEVICE IS TO  
PREVENT CONCRETE  
ENCASEMENT.

**SLABS w/ELEV.  
DIFFERENTIALS**

DRAWING NO.:  
**SM-9M**

**HEATIZON HEATING CABLE ELEMENT IN  
CONCRETE & JOINT DETAIL**

DRAWING BY:  
ACI  
DATE:  
NOV 2009

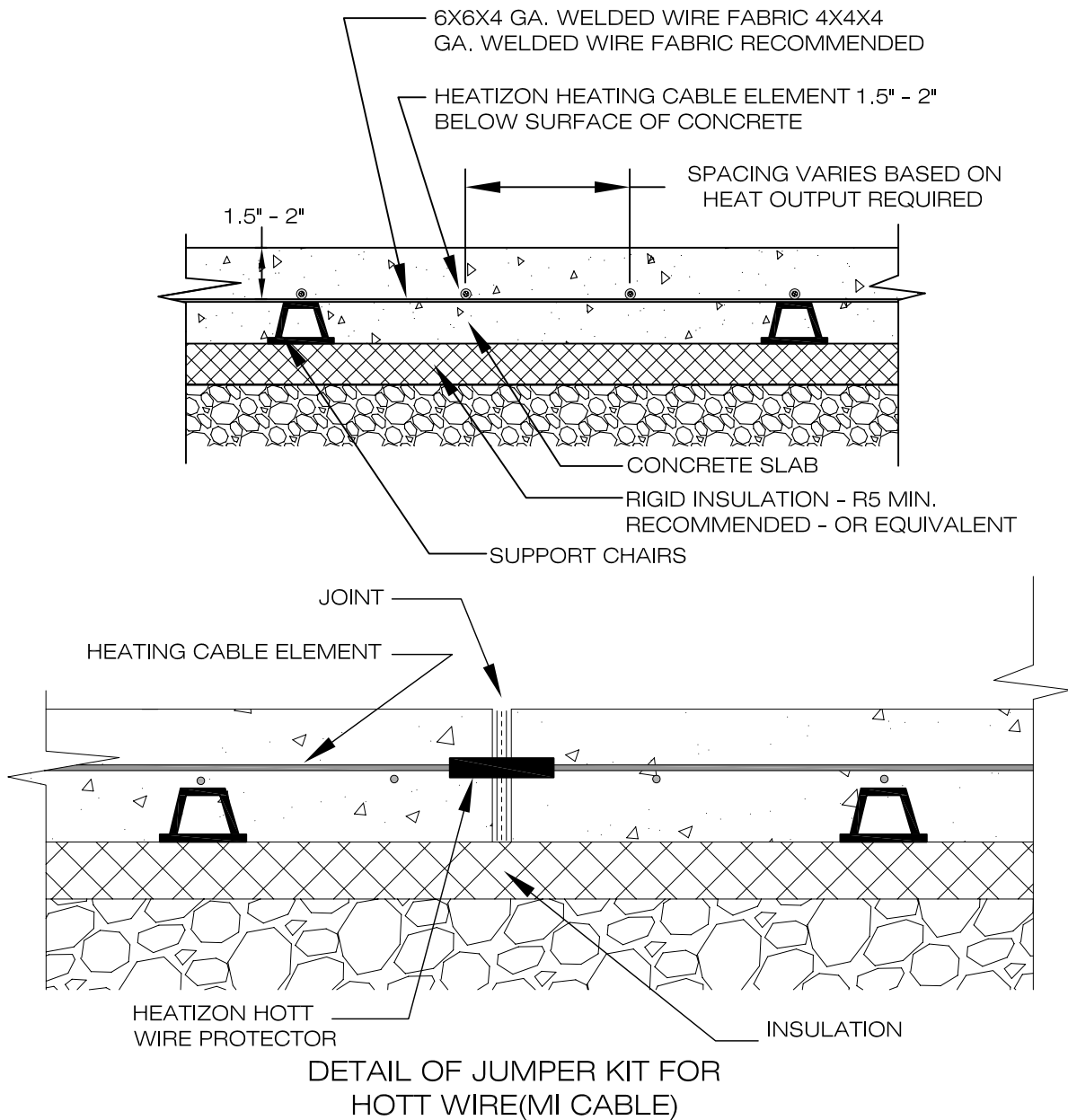
**HEATIZON SYSTEMS**

*advanced floor heating/ snow and ice removal systems*  
4137 SOUTH 500 WEST, MURRAY, UTAH 84123 PH (801) 293-1232 FAX (801) 293-3077  
©2009

When installing Heatizon Systems products, strict compliance with the National Electrical Code, the Canadian Electrical Code, state and local buildings codes, and Heatizon Systems Design and Installation Manual is essential.

**WARNING!!**  
DO NOT CUT OR DAMAGE  
HEATIZON HEATING CABLE ELEMENT OR  
IT'S INSULATOR IN ANY WAY

**NOTE:**  
HEATIZON HEATING CABLE ELEMENT  
SHALL NOT EXTEND THROUGH  
EXPANSION, CONTROL OR ANY  
OTHER JOINTS. "JUMPER" TO BE  
USED AT ALL JOINTS.



**NOTE:**  
PROTECTIVE DEVICE IS TO PREVENT CONCRETE ENCASEMENT.

DRAWING NO.: <b>SM-9MI</b>	<b>HEATIZON HOTT WIRE(MI CABLE) IN CONCRETE &amp; JOINT DETAIL</b>	DRAWING BY: ACI
		DATE: NOV 2009

## HEATIZON SYSTEMS

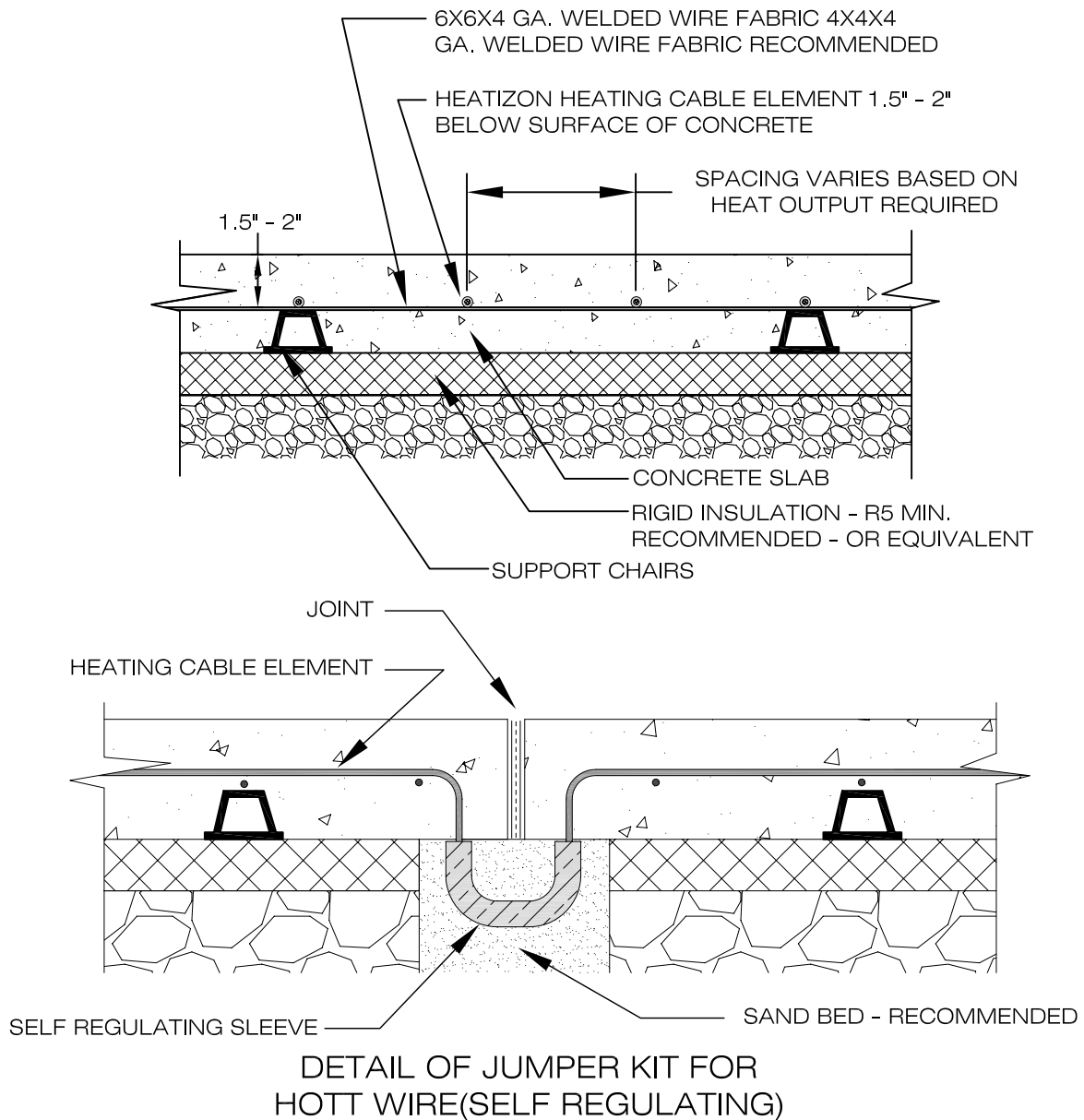
*advanced floor heating/ snow and ice removal systems*

4137 SOUTH 500 WEST, MURRAY, UTAH 84123 PH (801) 293-1232 FAX (801) 293-3077

©2009

**WARNING!!**  
DO NOT CUT OR DAMAGE  
HEATIZON HEATING CABLE ELEMENT OR  
IT'S INSULATOR IN ANY WAY

**NOTE:**  
HEATIZON HEATING CABLE ELEMENT  
SHALL NOT EXTEND THROUGH  
EXPANSION, CONTROL OR ANY  
OTHER JOINTS. "JUMPER" TO BE  
USED AT ALL JOINTS.



**NOTE:**  
PROTECTIVE DEVICE IS TO PREVENT CONCRETE ENCASEMENT.  
PROTECTIVE DEVICE SHOULD NOT EXTEND INTO CONCRETE

DRAWING NO.:  
**SM-9SR**

**HEATIZON HOTT WIRE(SELF REGULATING)  
IN CONCRETE & JOINT DETAIL**

DRAWING BY:  
ACI  
DATE:  
NOV 2009

**HEATIZON SYSTEMS**

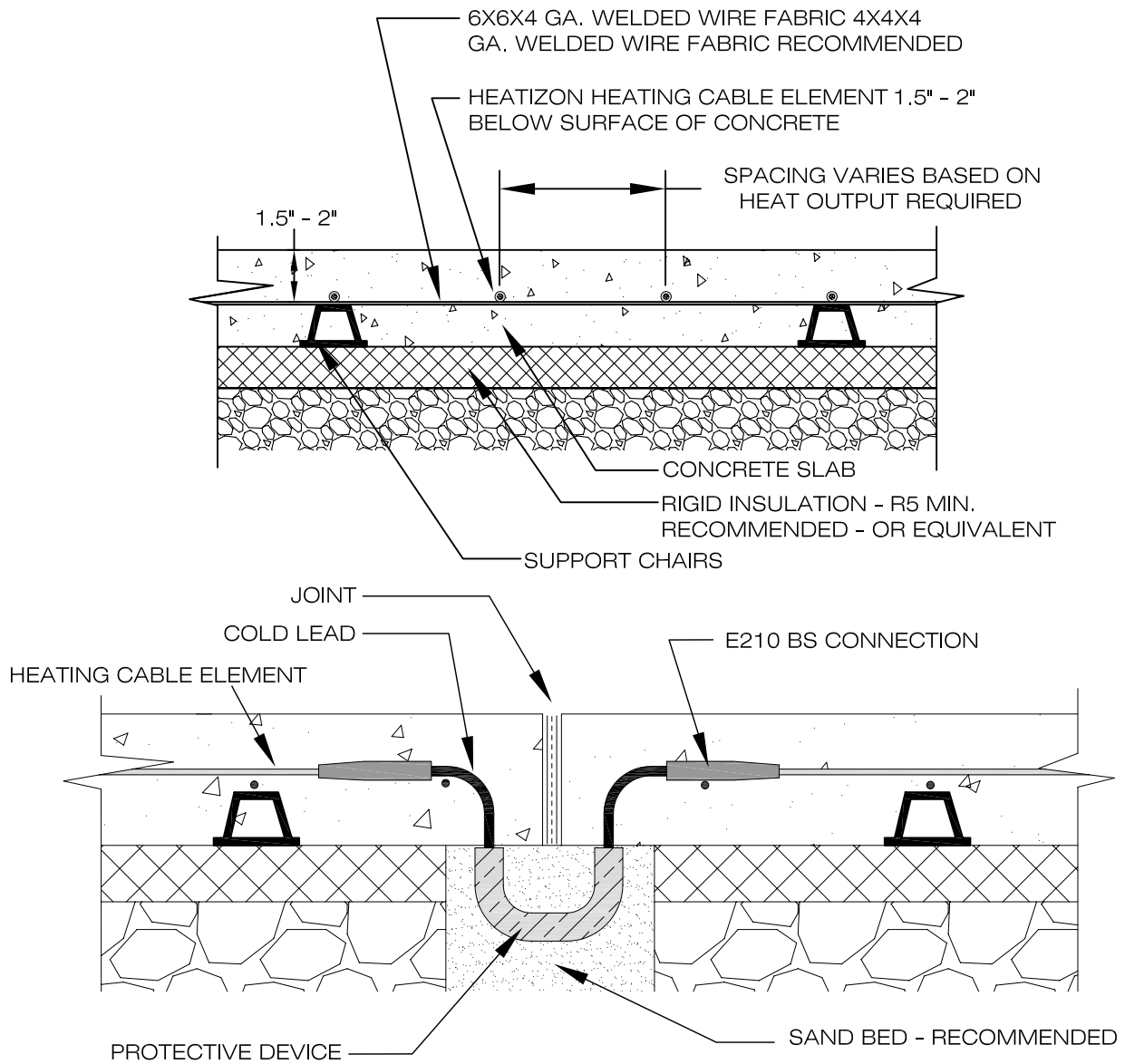
*advanced floor heating/ snow and ice removal systems*

4137 SOUTH 500 WEST, MURRAY, UTAH 84123 PH (801) 293-1232 FAX (801) 293-3077

©2009

**WARNING!!**  
DO NOT CUT OR DAMAGE  
HEATIZON HEATING CABLE ELEMENT OR  
IT'S INSULATOR IN ANY WAY

**NOTE:**  
HEATIZON HEATING CABLE ELEMENT  
SHALL NOT EXTEND THROUGH  
EXPANSION, CONTROL OR ANY  
OTHER JOINTS. "JUMPER" TO BE  
USED AT ALL JOINTS.



DETAIL OF JUMPER KIT  
FOR TUFF CABLE

**NOTE:**  
PROTECTIVE DEVICE IS TO PREVENT CONCRETE ENCASEMENT.  
PROTECTIVE DEVICE SHOULD NOT EXTEND INTO CONCRETE

DRAWING NO.:

**SM-9T**

**HEATIZON TUFF CABLE IN  
CONCRETE & JOINT DETAIL**

DRAWING BY:

ACI

DATE:

NOV 2009

**HEATIZON SYSTEMS**

*advanced floor heating/ snow and ice removal systems*

4137 SOUTH 500 WEST, MURRAY, UTAH 84123 PH (801) 293-1232 FAX (801) 293-3077

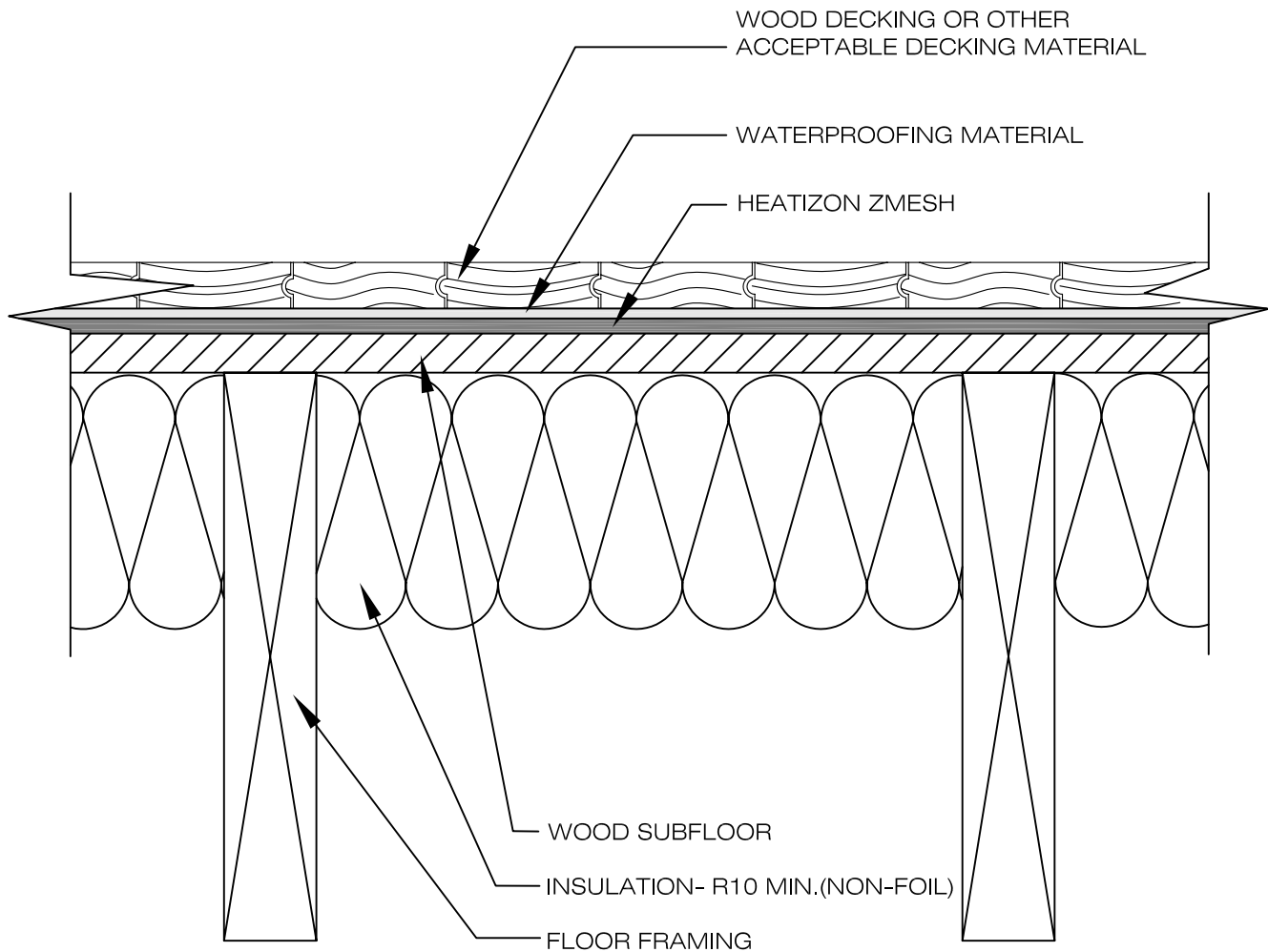
©2009

**WARNING!!**

DO NOT CUT OR DAMAGE ZMESH. DO NOT ALLOW ZMESH TO COME INTO CONTACT WITH ANY OTHER ELECTRICALLY CONDUCTIVE MATERIAL. DO NOT FASTEN THROUGH ANY ELECTRICALLY CONDUCTIVE MATERIAL AND ZMESH SIMULTANEOUSLY.

**NOTE:**

HEATIZON SYSTEMS RECOMMENDS THAT THE RADIANT FLOORING GUIDE, PUBLISHED BY THE RADIANT PANEL ASSOCIATION BE CONSULTED PRIOR TO SELECTING FLOOR COVERINGS. IN ADDITION, ALWAYS CONSULT YOUR FLOOR COVERING SUPPLIER ABOUT THE SUITABILITY OF FLOOR COVERINGS FOR INSTALLATION OVER IN-FLOOR RADIANT HEATING PRODUCTS.



DRAWING NO.:

**SM-10**

**ZMESH UNDER WOOD DECKING ON  
WOOD SUBFLOOR**

DRAWING BY:

ACI

DATE:

NOV 2010

**HEATIZON SYSTEMS**

*advanced floor heating/ snow and ice removal systems*

4137 SOUTH 500 WEST, MURRAY, UTAH 84123 PH (801) 293-1232 FAX (801) 293-3077

©2010

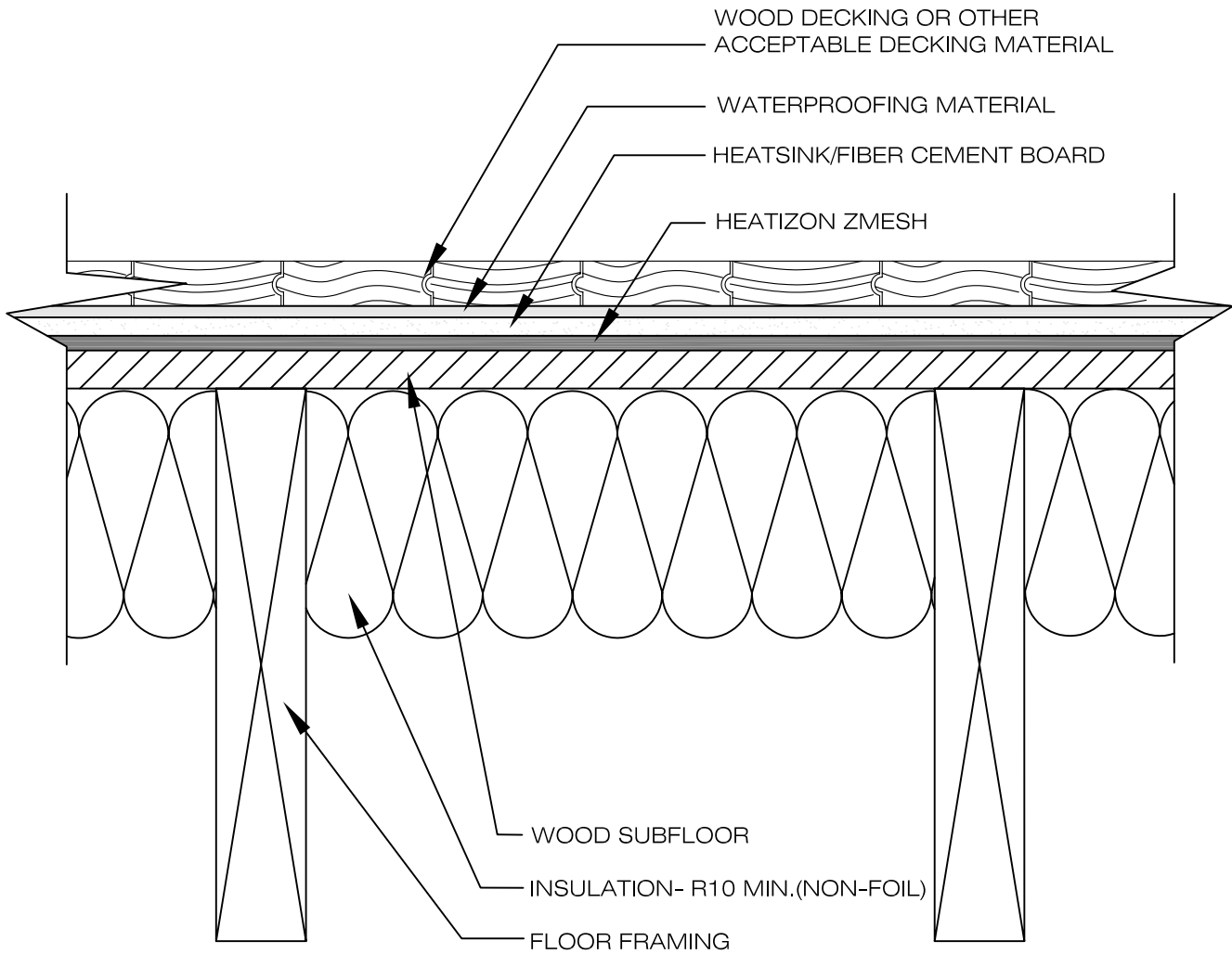
When installing Heatizon Systems products, strict compliance with the National Electrical Code, the Canadian Electrical Code, state and local buildings codes, and Heatizon Systems Design and Installation Manual is essential.

**WARNING!!**

DO NOT CUT OR DAMAGE ZMESH. DO NOT ALLOW ZMESH TO COME INTO CONTACT WITH ANY OTHER ELECTRICALLY CONDUCTIVE MATERIAL. DO NOT FASTEN THROUGH ANY ELECTRICALLY CONDUCTIVE MATERIAL AND ZMESH SIMULTANEOUSLY.

**NOTE:**

HEATIZON SYSTEMS RECOMMENDS THAT THE RADIANT FLOORING GUIDE, PUBLISHED BY THE RADIANT PANEL ASSOCIATION BE CONSULTED PRIOR TO SELECTING FLOOR COVERINGS. IN ADDITION, ALWAYS CONSULT YOUR FLOOR COVERING SUPPLIER ABOUT THE SUITABILITY OF FLOOR COVERINGS FOR INSTALLATION OVER IN-FLOOR RADIANT HEATING PRODUCTS.



DRAWING NO.: <b>SM-11</b>	<b>ZMESH UNDER WOOD DECKING ON WOOD SUBFLOOR w/ HEATSINK</b>	DRAWING BY: ACI DATE: NOV 2010
------------------------------	------------------------------------------------------------------	-----------------------------------------

**HEATIZON SYSTEMS**

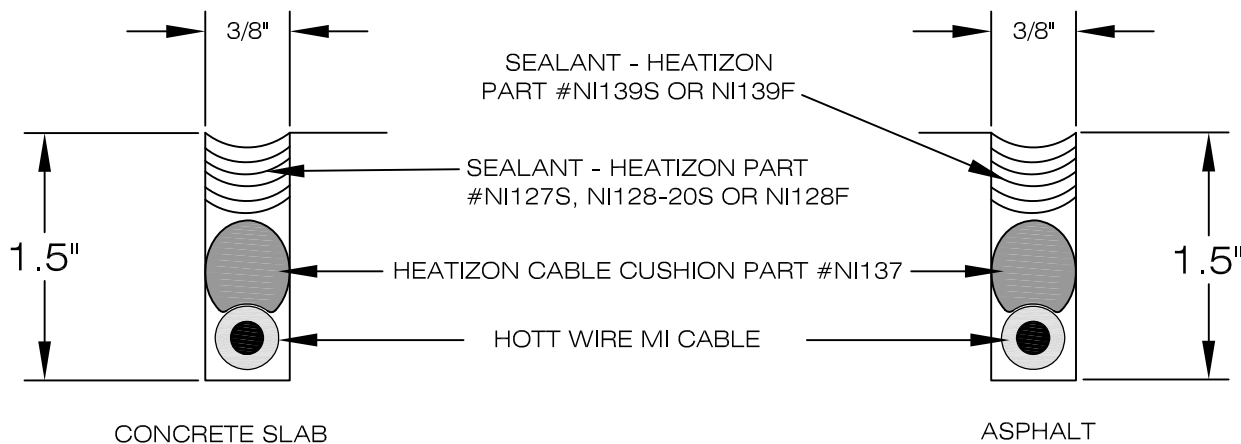
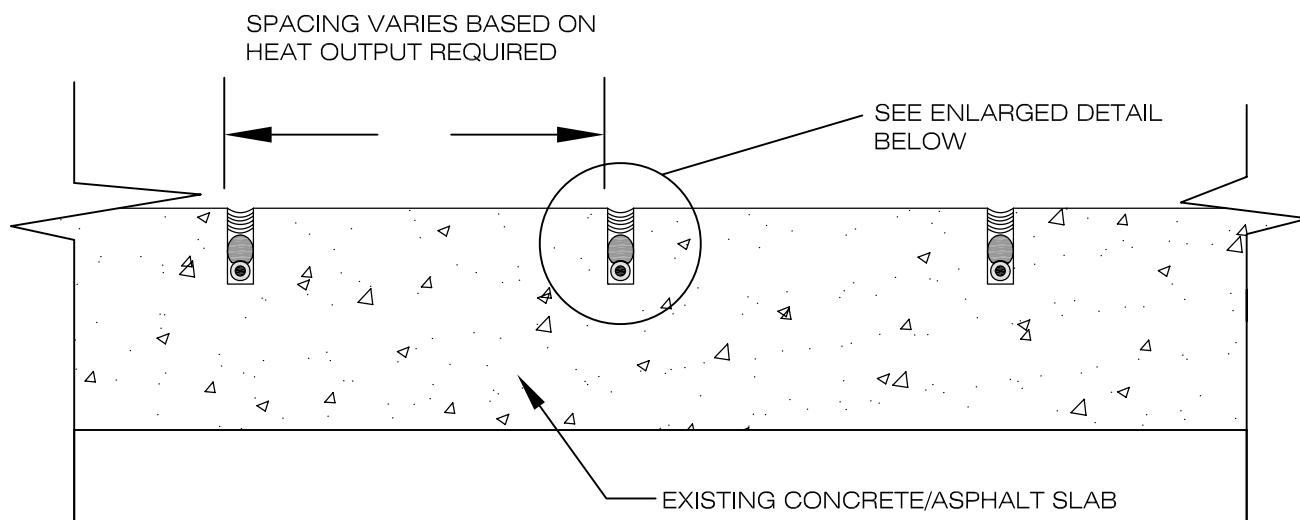
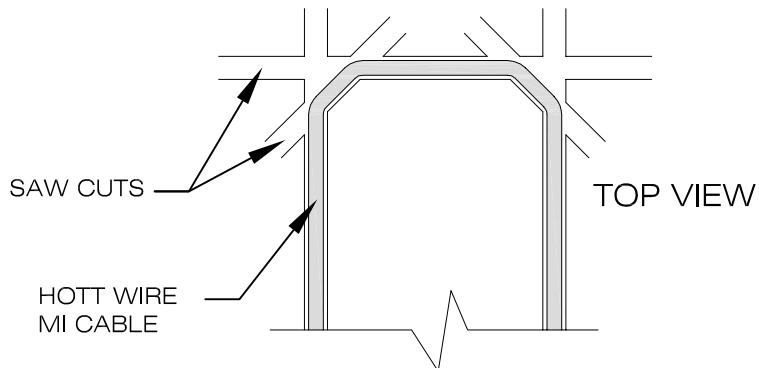
*advanced floor heating/ snow and ice removal systems*

4137 SOUTH 500 WEST, MURRAY, UTAH 84123 PH (801) 293-1232 FAX (801) 293-3077

©2010

When installing Heatizon Systems products, strict compliance with the National Electrical Code, the Canadian Electrical Code, state and local buildings codes, and Heatizon Systems Design and Installation Manual is essential.

**WARNING!!**  
 DO NOT CUT OR DAMAGE  
 HEATIZON HEATING CABLE ELEMENT OR  
 ITS INSULATOR IN ANY WAY



DRAWING NO.: <b>SM-13H</b>	<b>HOTT WIRE MI CABLE RETROFIT IN CONCRETE OR ASPHALT</b>	DRAWING BY: RJB
		DATE: JUNE 2013

## HEATIZON SYSTEMS

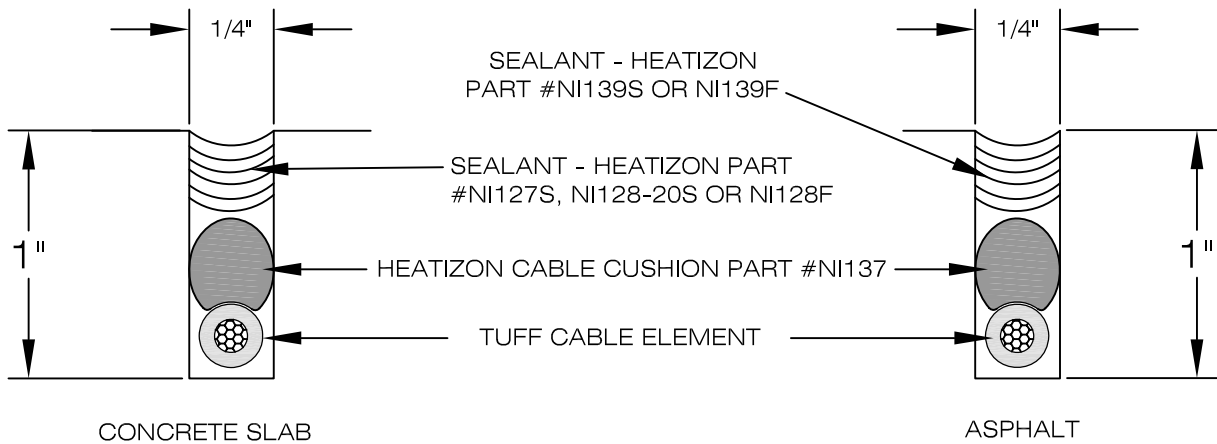
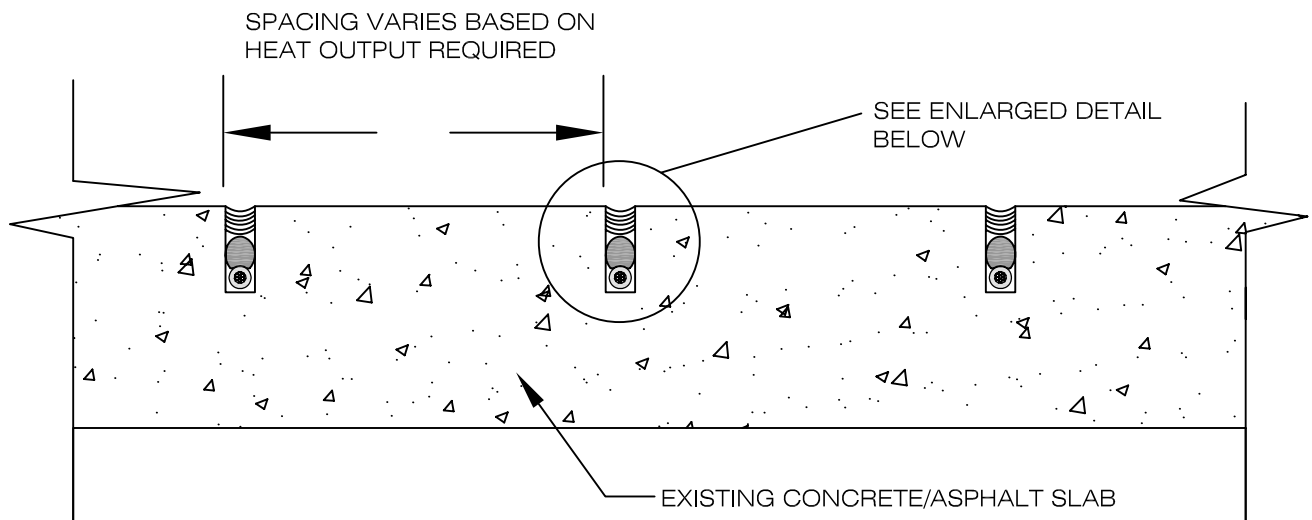
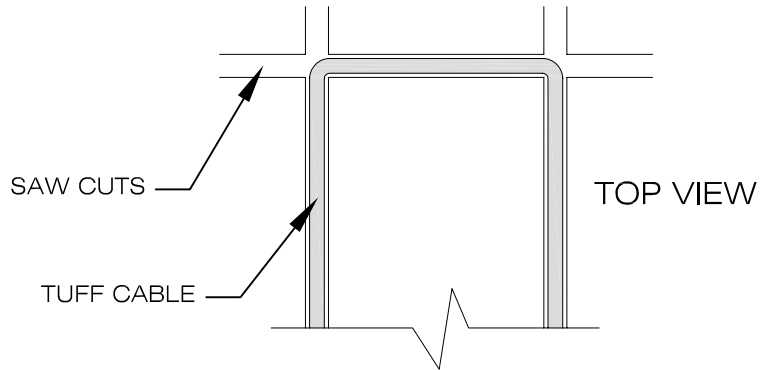
*advanced floor heating/ snow and ice removal systems*

4137 SOUTH 500 WEST, MURRAY, UTAH 84123 PH (801) 293-1232 FAX (801) 293-3077

©2013



**WARNING!!**  
 DO NOT CUT OR DAMAGE  
 HEATIZON HEATING CABLE ELEMENT OR  
 ITS INSULATOR IN ANY WAY



DRAWING NO.:

**SM-13**

**TUFF CABLE ELEMENT RETROFIT IN  
CONCRETE OR ASPHALT**

DRAWING BY:

RJB

DATE:

JUNE 2013

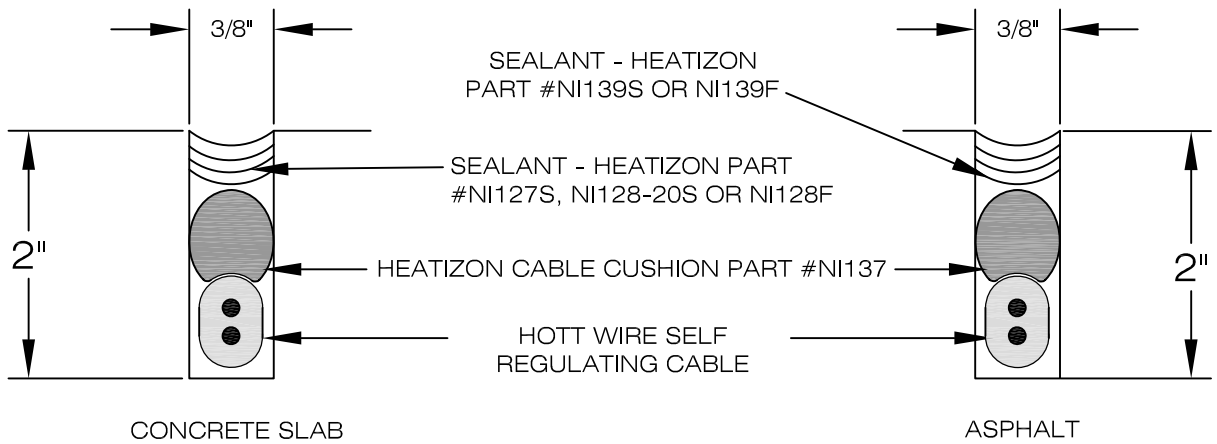
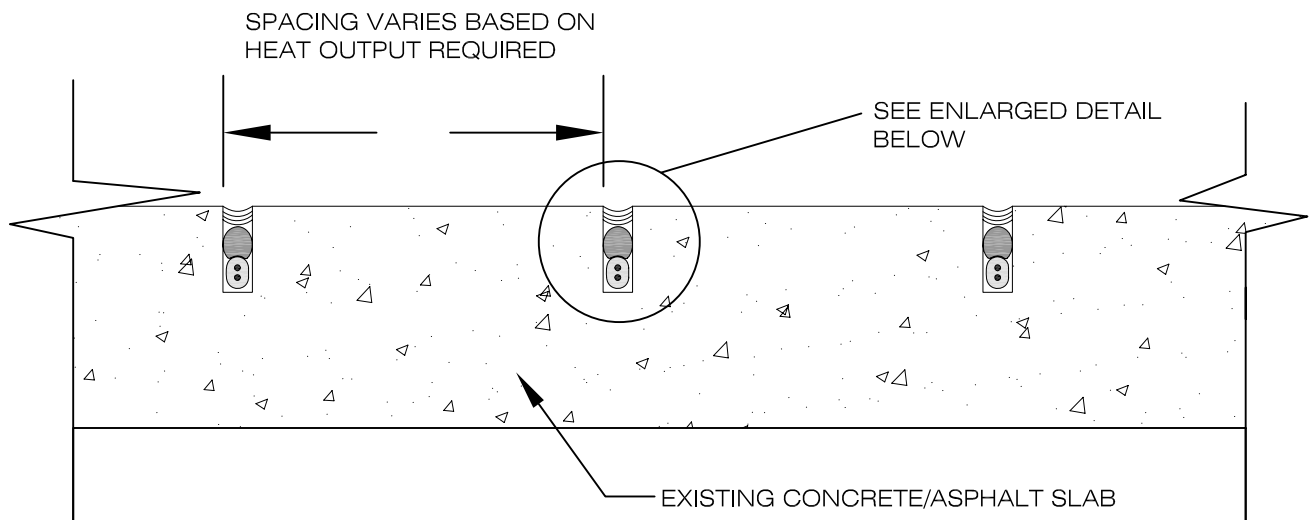
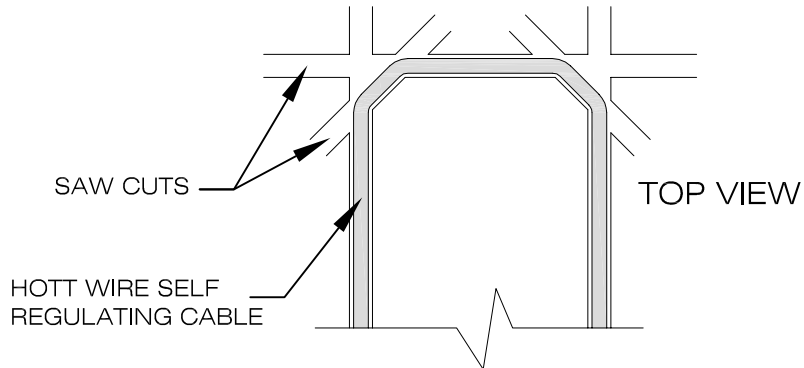
**HEATIZON SYSTEMS**

*advanced floor heating/ snow and ice removal systems*

4137 SOUTH 500 WEST, MURRAY, UTAH 84123 PH (801) 293-1232 FAX (801) 293-3077

©2013

**WARNING!!**  
 DO NOT CUT OR DAMAGE  
 HEATIZON HEATING CABLE ELEMENT OR  
 ITS INSULATOR IN ANY WAY

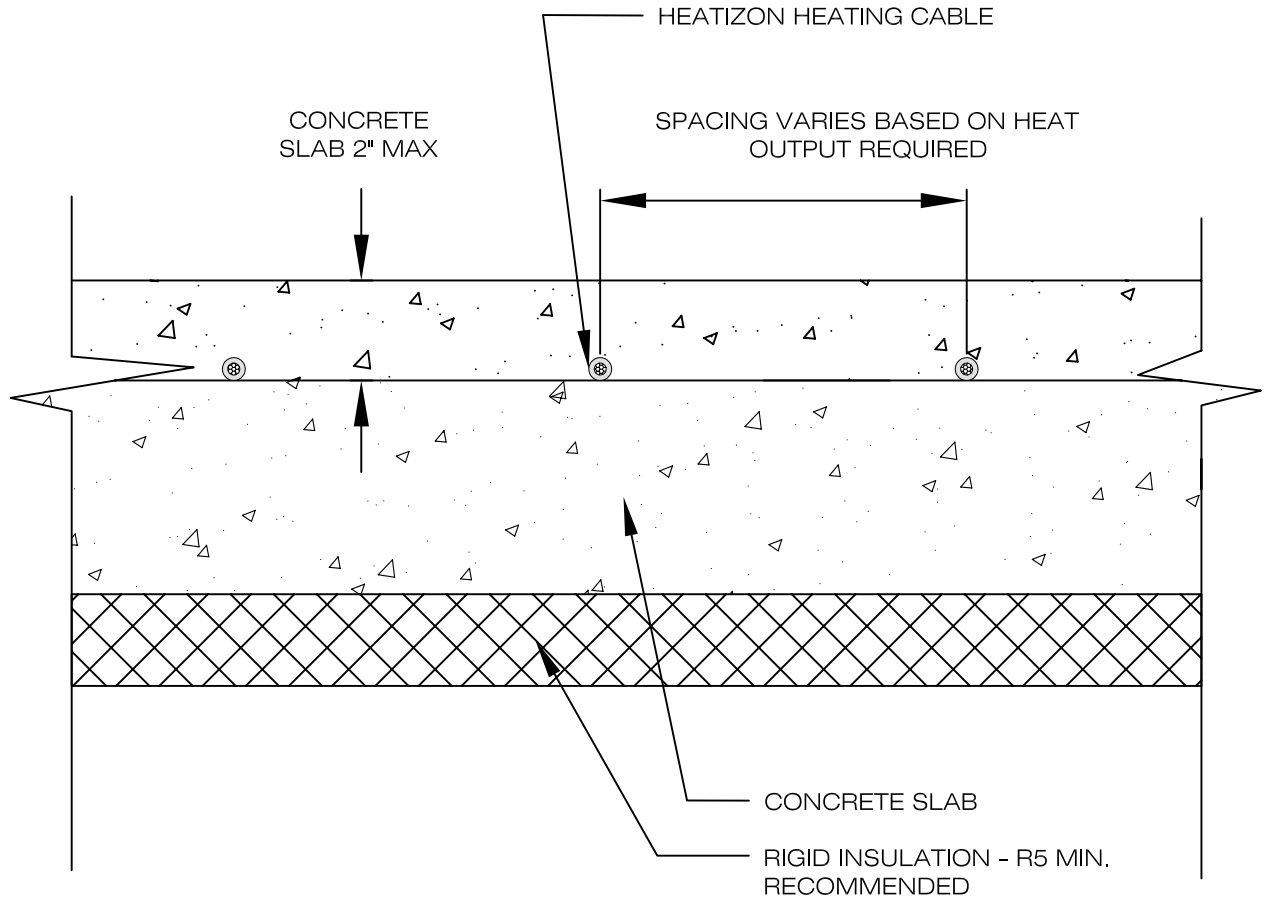


DRAWING NO.: <b>SM-13HS</b>	<b>HOTT WIRE SELF REGULATING CABLE RETROFIT IN CONCRETE OR ASPHALT</b>	DRAWING BY: RJB
		DATE: JUNE 2013

**HEATIZON SYSTEMS**  
*advanced floor heating/ snow and ice removal systems*  
 4137 SOUTH 500 WEST, MURRAY, UTAH 84123 PH (801) 293-1232 FAX (801) 293-3077  
 ©2013

When installing Heatizon Systems products, strict compliance with the National Electrical Code, the Canadian Electrical Code, state and local buildings codes, and Heatizon Systems Design and Installation Manual is essential.

**WARNING!!**  
 DO NOT CUT OR DAMAGE  
 HEATIZON HEATING CABLE  
 ELEMENT OR IT'S INSULATOR  
 IN ANY WAY



DRAWING NO.:  
**SM-22**

**HEATIZON HEATING CABLE ELEMENT IN  
 CONCRETE ON CONCRETE SLAB**

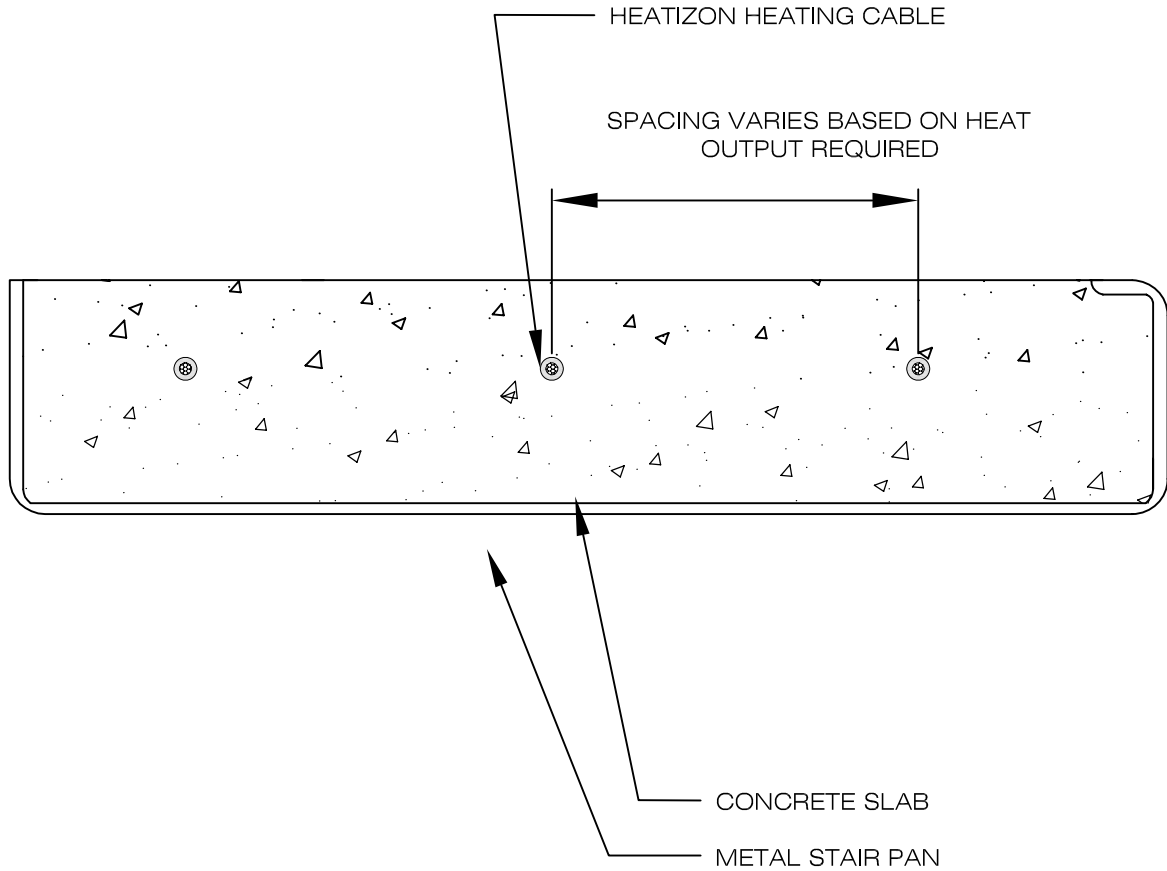
DRAWING BY:  
 ACI  
 DATE:  
 NOV 2009

**HEATIZON SYSTEMS**

*advanced floor heating/ snow and ice removal systems*  
 4137 SOUTH 500 WEST, MURRAY, UTAH 84123 PH (801) 293-1232 FAX (801) 293-3077  
 ©2009

When installing Heatizon Systems products, strict compliance with the National Electrical Code, the Canadian Electrical Code, state and local buildings codes, and Heatizon Systems Design and Installation Manual is essential.

**WARNING!!**  
DO NOT CUT OR DAMAGE  
HEATIZON HEATING CABLE  
ELEMENT OR ITS INSULATOR  
IN ANY WAY



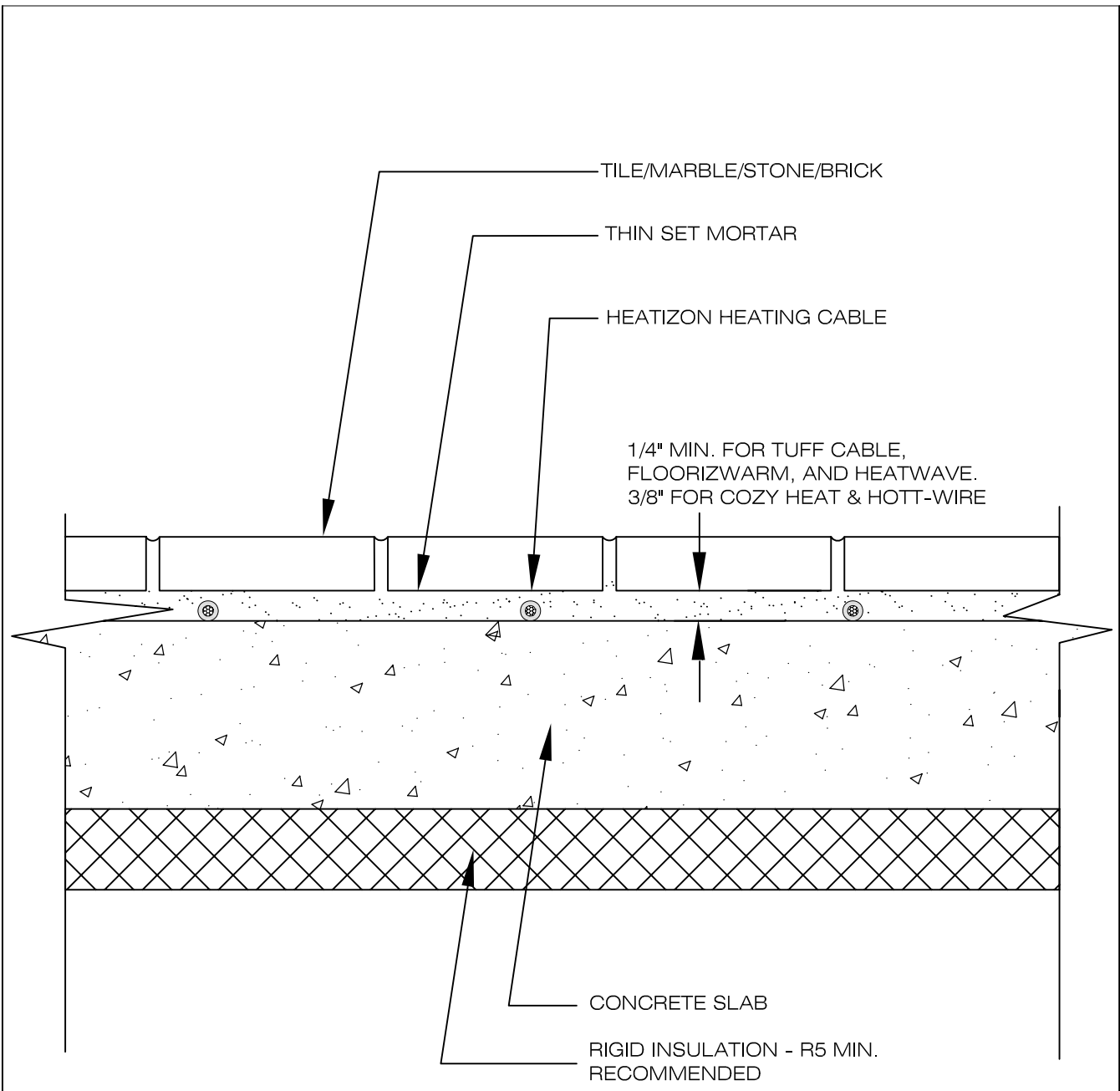
DRAWING NO.:  
**SM-22A**

**HEATIZON HEATING CABLE ELEMENT IN  
CONCRETE IN METAL STAIR PAN**

DRAWING BY:  
JL  
DATE:  
JUNE 2011

**HEATIZON SYSTEMS**

*advanced floor heating/ snow and ice removal systems*  
4137 SOUTH 500 WEST, MURRAY, UTAH 84123 PH (801) 293-1232 FAX (801) 293-3077  
©2013



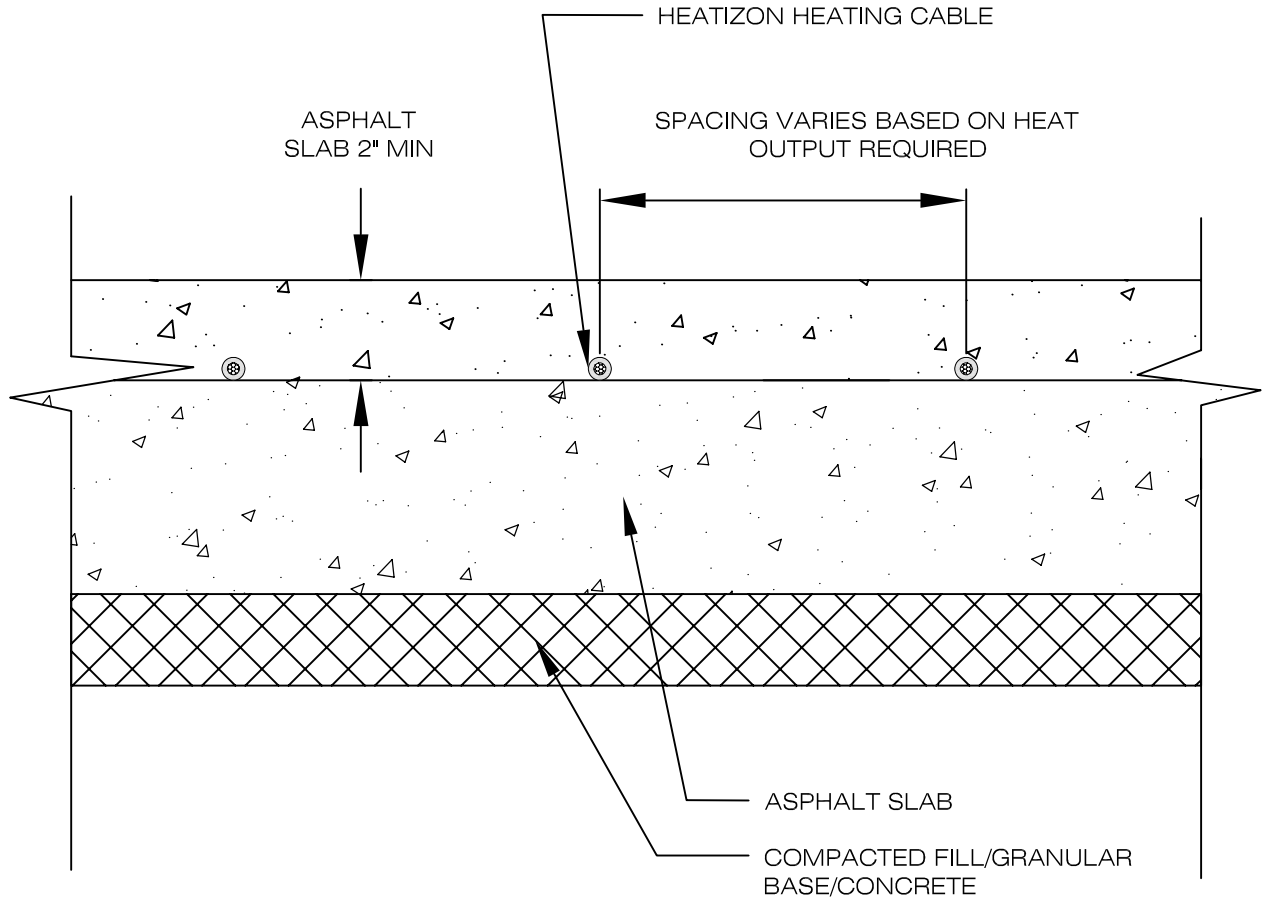
**WARNING!!**  
 DO NOT CUT OR DAMAGE  
 HEATIZON HEATING CABLE ELEMENT OR  
 ITS INSULATOR IN ANY WAY

DRAWING NO.: <b>SM-23</b>	<b>HEATIZON HEATING CABLE ELEMENT UNDER TILE/STONE/BRICK - CONCRETE SLAB</b>	DRAWING BY: RJB
		DATE: OCT 2012

**HEATIZON SYSTEMS**  
*advanced floor heating/ snow and ice removal systems*  
 4137 SOUTH 500 WEST, MURRAY, UTAH 84123 PH (801) 293-1232 FAX (801) 293-3077  
 ©2012

When installing Heatizon Systems products, strict compliance with the National Electrical Code, the Canadian Electrical Code, state and local buildings codes, and Heatizon Systems Design and Installation Manual is essential.

**WARNING!!**  
 DO NOT CUT OR DAMAGE  
 HEATIZON HEATING CABLE  
 ELEMENT OR ITS INSULATOR  
 IN ANY WAY



DRAWING NO.:  
**SM-24**

**HEATIZON HEATING CABLE ELEMENT IN  
 ASPHALT ON ASPHALT SLAB**

DRAWING BY:  
 RJB  
 DATE:  
 NOV 2012

**HEATIZON SYSTEMS**

*advanced floor heating/ snow and ice removal systems*  
 4137 SOUTH 500 WEST, MURRAY, UTAH 84123 PH (801) 293-1232 FAX (801) 293-3077  
 ©2012

When installing Heatizon Systems products, strict compliance with the National Electrical Code, the Canadian Electrical Code, state and local buildings codes, and Heatizon Systems Design and Installation Manual is essential.